



RFL-33-LED-BC, COMPACT, 12V WET/ DRY/SUBMERSIBLE LED LIGHT FIXTURE W/ BRASS HANGER PLATE

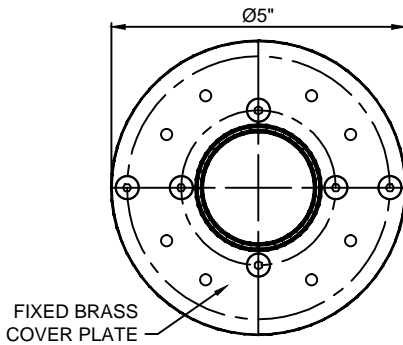
(877) 794-1802

DESIGN/APPLICATION DATA: Roman Fountains RFL-33-LED-BC Series, hanger type submersible light fixtures are designed for use in fountain or reflecting pools where a compact, suspended fixture is required.

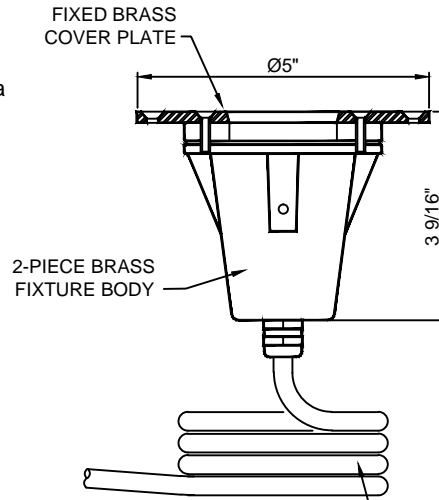


LAMP IS 12 VAC.,
WHITE LED TYPE

LED



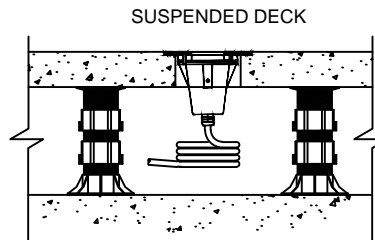
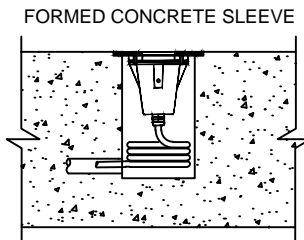
TOP/PLAN VIEW



SIDE VIEW

15', 18/3 SJT-WA
SUBMERSIBLE CABLE

W.L.



APPLICATION EXAMPLES

15' CORD LENGTH IS STANDARD
30' and 50' cords available;
consult factory.

NOTE:
LAMP IS FURNISHED WITH THIS
FIXTURE

NOTE: NOT TO BE USED
IN SWIMMING POOL OR
SPA APPLICATIONS.

NOTE: TRANSFORMER REQUIRED; CONSULT FACTORY.

SPECIFICATION DATA: Compact, 12 Volt, Hanger Type Submersible Light Fixture, cast brass construction, 5.5 watt, 12 volt white LED lamp, tempered glass lens, high temperature U-shaped gasket, 15 feet 18-3 SJT-WA type submersible cable. Fixture rate for 12VAC operation.

NOTES:

1. Lamp life and lumens published by lamp manufacturer; not guaranteed by Roman Fountains.
2. A submersible junction box and potting compound may be required for installation; consult factory.
3. External shroud available; consult factory.
4. Color lenses available; consult factory (blue, green, red, amber)
5. Due to our continuing product improvement, Roman Fountains reserves the right to change the specifications without notice.

DRAWING NO.
5.113