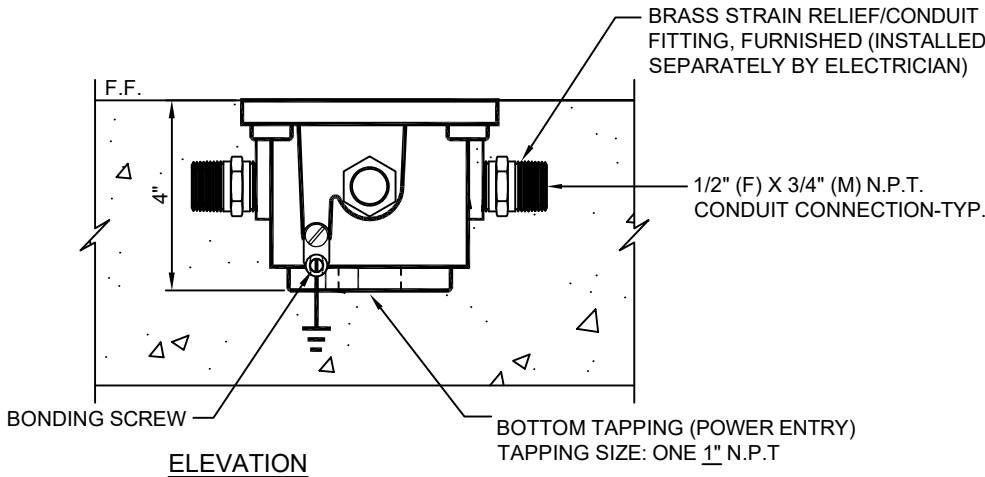




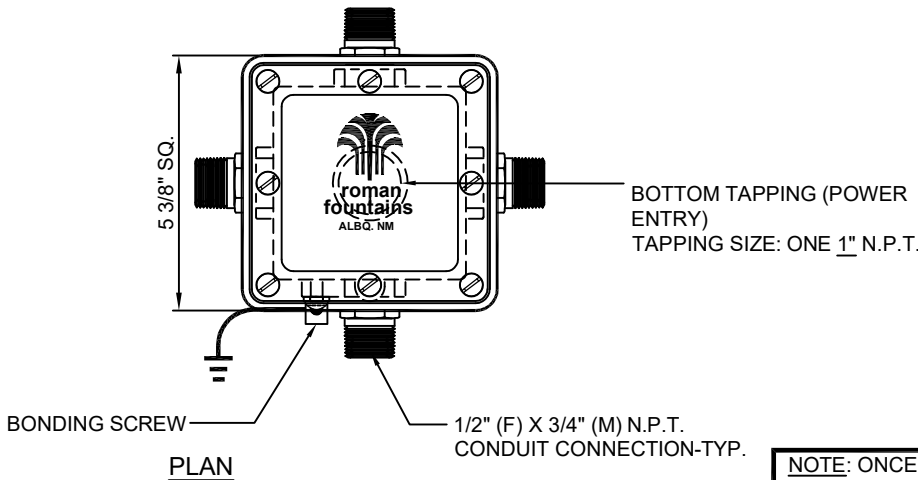
# RJB-4-100-F, FLUSH-MOUNTED SUBMERSIBLE JUNCTION BOX

(877) 794-1802



**NOTE:**  
BRASS STRAIN RELIEF FITTINGS FURNISHED BY ROMAN FOUNTAINS, INSTALLED INTO BOX BY ELECTRICIAN.

THIS JUNCTION BOX REQUIRES ONE (1) RPC-2114-D SIZE POTTING COMPOUND; SEE SHEET 5.327



BOTTOM TAPPING (POWER ENTRY) TAPPING SIZE: ONE 1" N.P.T.

3/4" (F) N.P.T. CORD SEAL SIDE TAPPINGS - (3) OR (4) QUANTITY: ( )

**NOTE: NOT TO BE USED IN SWIMMING POOL OR SPA APPLICATIONS.**

**NOTE: ONCE WIRING IS COMPLETED, FLASH LIGHTING CIRCUITS MOMENTARILY (10 SECONDS) TO VERIFY PROPER OPERATION. THEN WITH PUTTY PROVIDED, SEAL ALL CONDUIT ENTRIES INTO J-BOX PRIOR TO POTTING WITH #RPC-2114-D, POTTING COMPOUND (AVAILABLE AS ACCESSORY ITEM).**

**SPECIFICATION DATA:** ETL Listed Flush-Mounted Submersible Junction Box, cast bronze construction, with neoprene gasket, stainless steel fasteners, one 1" (F) N.P.T. bottom power conduit connection, and ( ) 3/4" N.P.T. side connections with brass cord seal fitting (shipped loose and installed in field). Junction box shall have a minimum volume of 40.0 cubic inches and shall include an internal grounding lug.

**NOTE:** Due to our continuing product improvement, Roman Fountains reserves the right to change the specifications without notice.

**INSTALLATION:** Roman Fountains recommends the following procedures be followed when installing underwater junction boxes.

1. Check local electrical codes before installing. Must comply with NEC article 680.
2. Use only 'Everdur' or brass pipe for conduit where exposed to water.
3. After making and verifying all connections, use putty provided to seal all conduit entries into j-box.
4. Once conduits are sealed, pot junction box with RPC-2114-D potting compound (available as accessory item).
5. Use good quality thread sealant on junction boxes.
6. Test conduit system to eliminate all leaks.

DRAWING NO.  
**5.314**