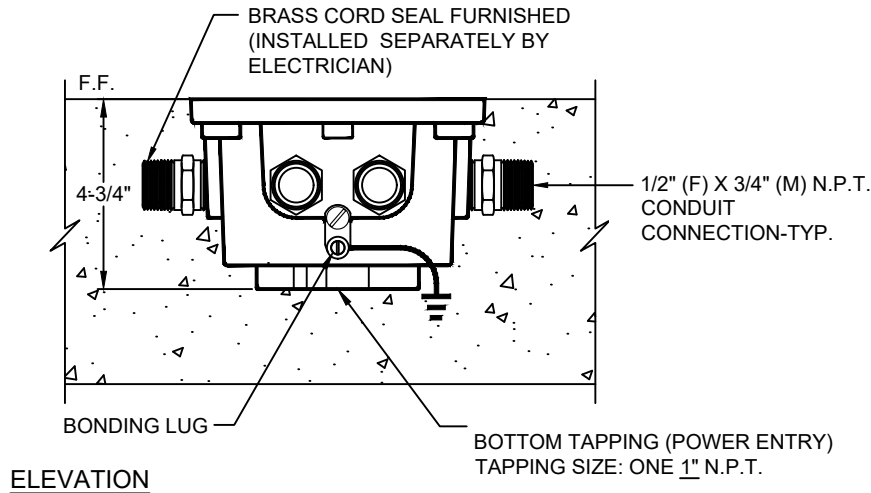


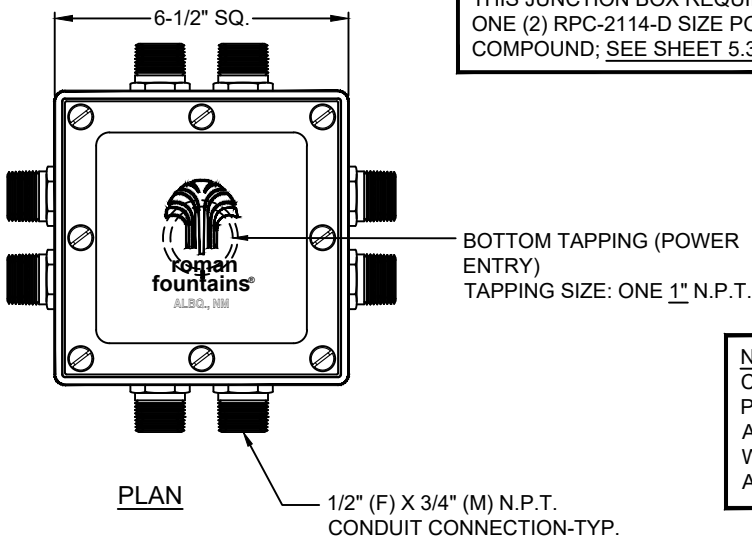


# RJB-8-100-F, FLUSH-MOUNTED SUBMERSIBLE JUNCTION BOX

(877) 794-1802



**NOTE:**  
CORD COMPRESSION SEALS FURNISHED BY ROMAN FOUNTAINS, INSTALLED INTO BOX BY ELECTRICIAN.



THIS JUNCTION BOX REQUIRES ONE (2) RPC-2114-D SIZE POTTING COMPOUND; SEE SHEET 5.327

BOTTOM TAPPING (POWER ENTRY):  
ONE 1" (F) N.P.T.  
3/4" (F) N.P.T. CORD SEAL SIDE TAPPINGS - (5) THRU (8)  
QUANTITY: ( )

**NOTE: NOT TO BE USED IN SWIMMING POOL OR SPA APPLICATIONS.**

**NOTE:** ONCE WIRING IS COMPLETED, FLASH LIGHTING CIRCUITS MOMENTARILY (10 SECONDS) TO VERIFY PROPER OPERATION. THEN WITH PUTTY PROVIDED, SEAL ALL CONDUIT ENTRIES INTO J-BOX PRIOR TO POTTING WITH (2) #RPC-2114-D, POTTING COMPOUND (AVAILABLE AS ACCESSORY ITEM).

**SPECIFICATION DATA:** Flush-Mounted Submersible Junction Box, cast bronze construction, with neoprene gasket, stainless steel fasteners, one 1" (F) N.P.T. bottom power conduit connection, and ( ) 3/4" N.P.T. side connection with brass cord seal fittings (shipped loose and installed in field). Junction box shall have a minimum volume of 80.0 cubic inches and shall include an internal grounding lug.

**NOTE:** Due to our continuing product improvement, Roman Fountains reserves the right to change the specifications without notice.

**INSTALLATION:** Roman Fountains recommends the following procedures be followed when installing underwater junction boxes.

1. Check local electrical code before installing. Must comply with NEC article 680.
2. Use only 'Everdur' or brass pipe for conduit where exposed to pool water.
3. After making and verifying all connections, use putty provided to seal all conduit entries into j-box.
4. Once conduits are sealed, pot junction box with (2) #RPC-2114-D potting compound (available as accessory).
5. Use good quality thread sealant on junction boxes.
6. Test conduit system to eliminate all leaks.

DRAWING NO.  
**5.316**