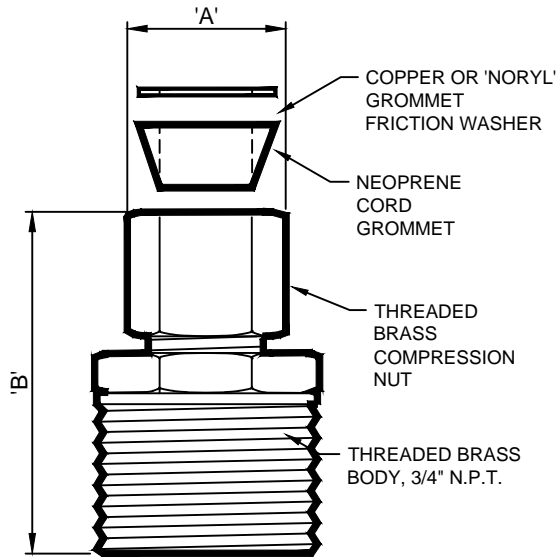




RCSN SERIES, BRASS CORD COMPRESSION FITTING

(877) 794-1802



TECHNICAL DATA			
MODEL NO.	N.P.T. CONNECTION	'A' DIM.	'B' DIM.
RCSN-050	1/2"	1 1/4"	1 3/4"
RCSN-075	3/4"	1 1/4"	1 3/4"

NOTE: REFER TO MODEL "RJB-C" JUNCTION BOXES FOR THIS ITEMS TYPICAL APPLICATION

SPECIFICATION DATA: Cord Compression Fitting, compression type cord seal shall be machined brass construction with friction washer, molded neoprene rubber cord grommet, and retainer cap. 1/2" or 3/4" N.P.T. connection.

DESIGN APPLICATION DATA: Roman Fountains RCS Series cord compression seals are used for watertight connection of submersible light and pump cords to 'RJB-C Series' submersible junction boxes or to conduit slab penetration fittings.

NOTE: Due to our continuing product improvement, Roman Fountains reserves the right to change the specifications without notice.

DRAWING NO.
5.323