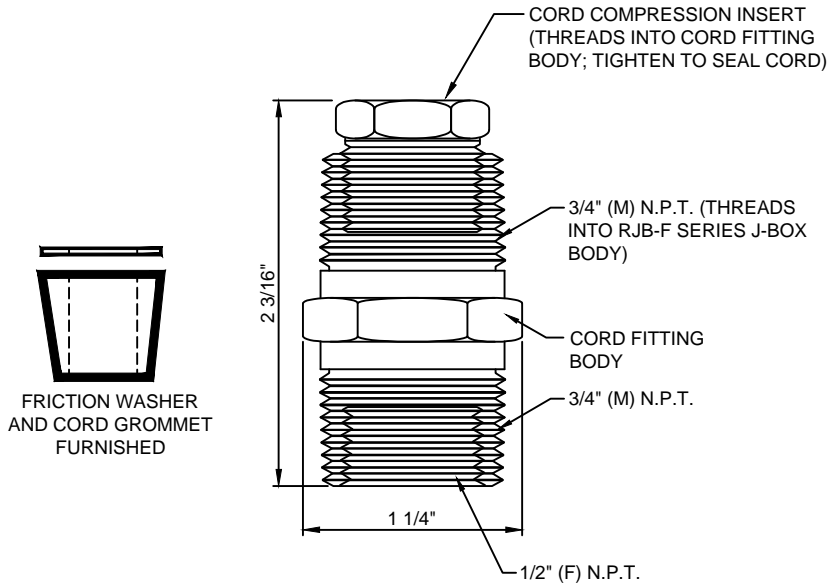
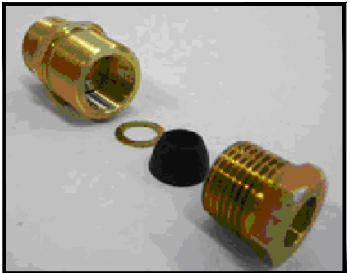




(877) 794-1802

RGN-075-F, BRASS CORD STRAIN RELIEF FITTING FOR FLUSH-MOUNTED J-BOX



TECHNICAL DATA		
MODEL NO.	N.P.T. CONNECTION	CORD SIZE
RGN-075-F	3/4" (M) X 1/2" (F)	16-3

NOTE: REFER TO MODEL "RJB-F SERIES" JUNCTION BOXES FOR THIS ITEMS' TYPICAL APPLICATION

SPECIFICATION DATA: Cord Strain Relief Fitting For Flush-Mounted J-Box, compression type cord seal shall be machined brass construction with friction washer, molded neoprene rubber cord grommet, and cord compression insert, 3/4" (M) N.P.T. connection (into junction box) and 3/4" (M) N.P.T. x 1/2" (F) N.P.T. conduit connection.

NOTE: Due to our continuing product improvement, Roman Fountains reserves the right to change the specifications without notice.

DESIGN/APPLICATION DATA: Roman Fountains RGN-075-F, cord compression seals are used for watertight connection of submersible niche type light fixture cords that route through 1/2" or 3/4" conduits to RJB-F Series, flush-mounted submersible junction boxes.

DRAWING NO.
5.325