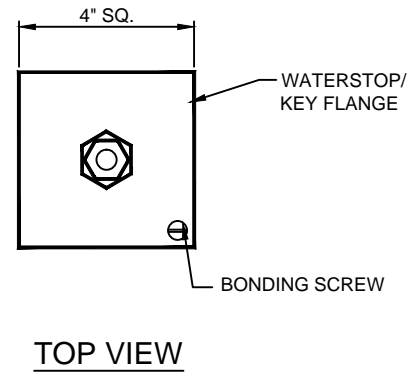
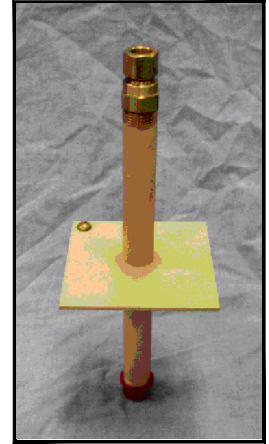
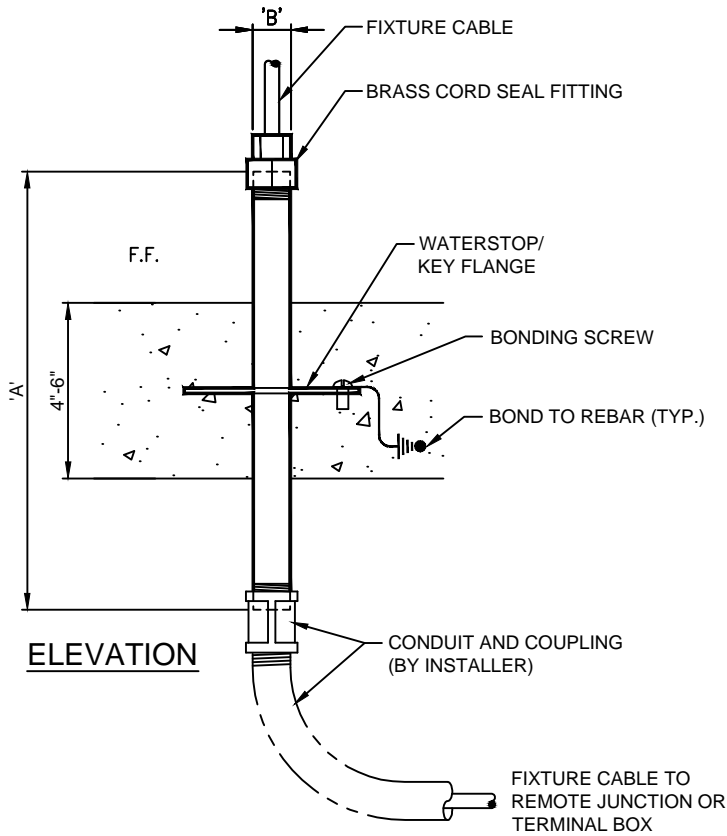




RCSF SERIES, CONDUIT SLAB FITTING WITH CORD SEAL

(877) 794-1802



TECHNICAL DATA				
MODEL NO.	CONDUIT SIZE	DIM. 'A'	DIM. 'B'	CORD SEAL CABLE SIZE
RCSF-050	1/2"	10"	1"	16/3 OR 18/3
RCSF-075	3/4"	10"	1 1/2"	10/3 OR 12/3

SPECIFICATION DATA: Conduit Slab Fitting With Cord Seal, all brass conduit slab nipple with welded brass waterstop flange, bonding screw, naval brass cord compression fitting complete with neoprene cord grommet and copper friction washer. 1/2" or 3/4" connection, as specified.

NOTE: Due to our continuing product improvement, Roman Fountains reserves the right to change the specifications without notice.

DESIGN/APPLICATION DATA: Roman Fountains RCSF Series conduit slab fittings with cord seals are designed for use when running submersible cables from pumps and light fixtures to a remote or exterior location. A watertight seal is created at the cord fitting to create a positive water barrier.

DRAWING NO.
5.326