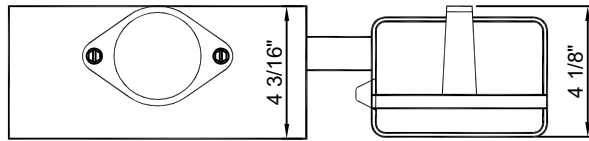


## RTCP-LC, TIMECLOCK/LOAD CENTER ASSEMBLY FOR LIGHTS

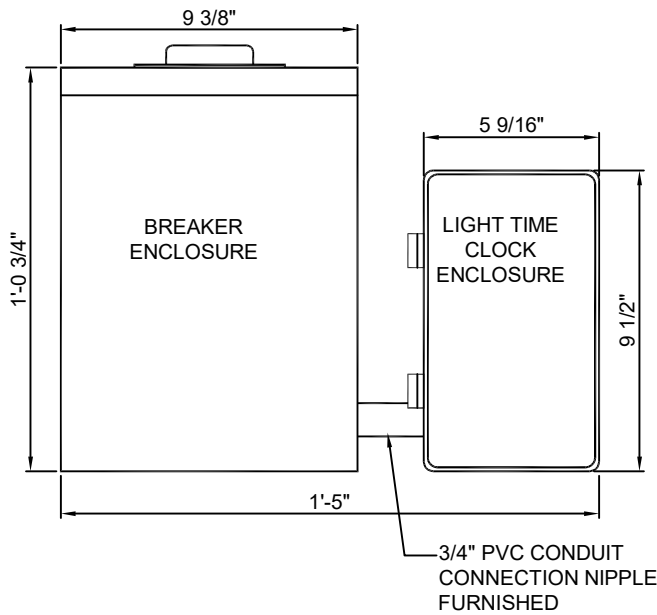
(877) 794-1802



PLAN VIEW



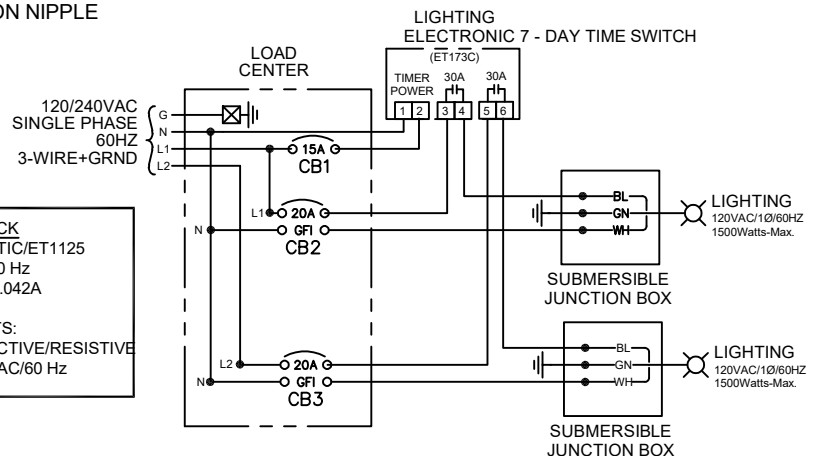
TIMECLOCK/LOAD CENTER ASSEMBLY SHOWN WITH OPTIONAL STAINLESS STEEL BACKING PLATE



ELEVATION

TIMECLOCK  
INTERMATIC/ET1125  
120VAC/60 Hz  
5W (5VA)/.042A

CONTACTS:  
30A INDUCTIVE/RESISTIVE  
120/240 VAC/60 Hz



**SPECIFICATION DATA:** Timeclock/Load Center Assembly for Lights, unit consists of a timeclock with (inductive) contacts mounted in a NEMA 3R enclosure and a 2-Pole, 100A load center with Class 'A' G.F.C.I. breaker mounted in NEMA 4 enclosure. This unit is designed for pumps up to 2 HP.

**NOTE:** Due to our continuing product improvement, Roman Fountains reserves the right to change the specifications without notice.

DRAWING NO.  
**5.401**