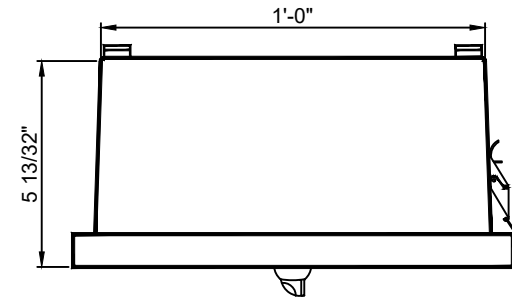


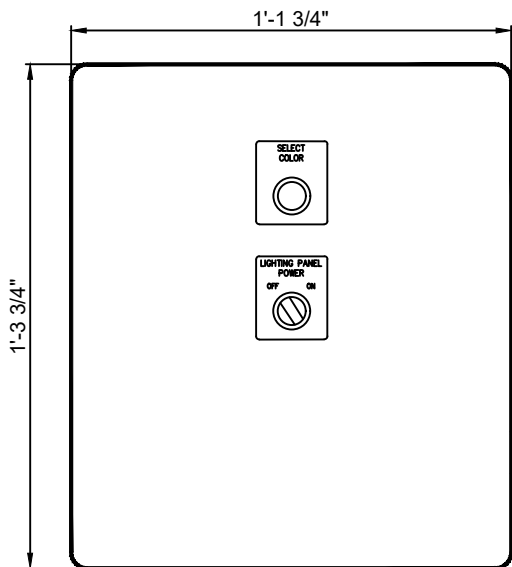


(877) 794-1802

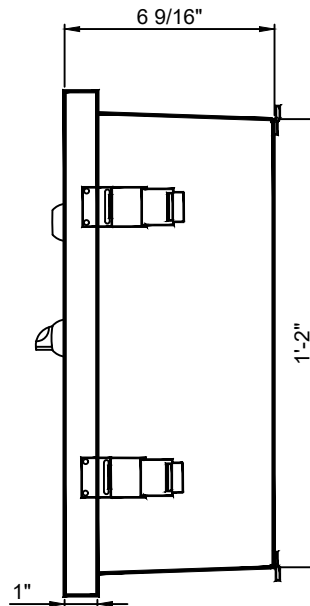
RLCP-LED-RGB-L1, RGB LED POWER SUPPLY/DMX ENCLOSURE



PLAN VIEW



FRONT ELEVATION

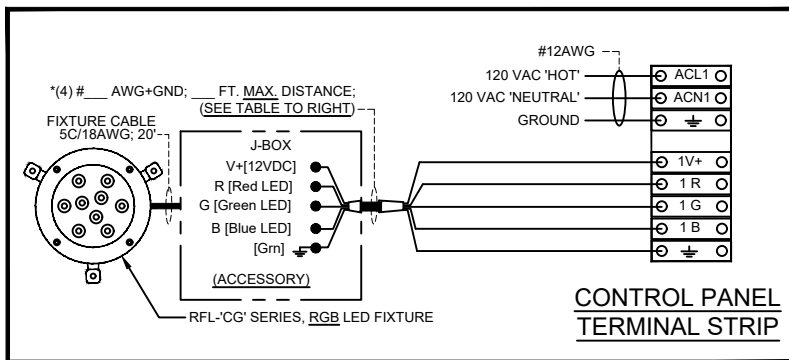


SIDE VIEW



TYPICAL INTERIOR VIEW

FIXTURE STYLE	FIXTURE QTY.
RFL-FM-RGB	4
RFL-FS-RGB	5
RFL-DH-RGB	5
RFL-HP-RGB	8



*MAXIMUM CABLE LENGTH FOR A SINGLE RUN FROM PANEL TO JUNCTION BOX

LOAD AT 12VDC	AMPS	MAXIMUM CABLE LENGTH TO THE LAST FIXTURE IN A CABLE RUN BY WIRE SIZE				
		#14	#12	#10	#8	#6
25-30	2.0-2.5	35FT.	60FT.	100FT.	150FT.	
31-36	2.5-3.0	30FT.	50FT.	80FT.	125FT.	175FT.
37-42	3.0-3.5		45FT.	70FT.	100FT.	175FT.
43-55	3.5-4.6		35FT.	55FT.	80FT.	135FT.
56-75	4.7-6.3		25FT.	40FT.	60FT.	100FT.
76-100	6.4-8.3		20FT.	30FT.	50FT.	75FT.
101-112	8.4-9.3		15FT.	25FT.	40FT.	65FT.

SPECIFICATION DATA: 'RGB' LED Power Supply/DMX Enclosure, U.L. 508A Listed, includes RSDR-Series, 12VDC power supply, RLIN-720, DMX Controller, ON-OFF Switch, 'Color Select' push-button and user terminal strip. Panel shall be pre-wired, and mounted in a polyester NEMA 4X enclosure. Panel is factory powered, tested with all loads, circuits and switching functions verified prior to shipment. Power Requirement: 120VAC, Single-Phase, 2-Wire Feeder + Gnd. @ 6.0 Amps

Installer Notes:

1. Handhole Splice Box is recommended when using multiple junction boxes per power supply.
2. When grouping light fixtures, Do Not exceed 85% of DC power supply rating.
3. Disconnect is By Others.
4. Feed Must comply with federal, state and local codes.

DRAWING NO.
5.405