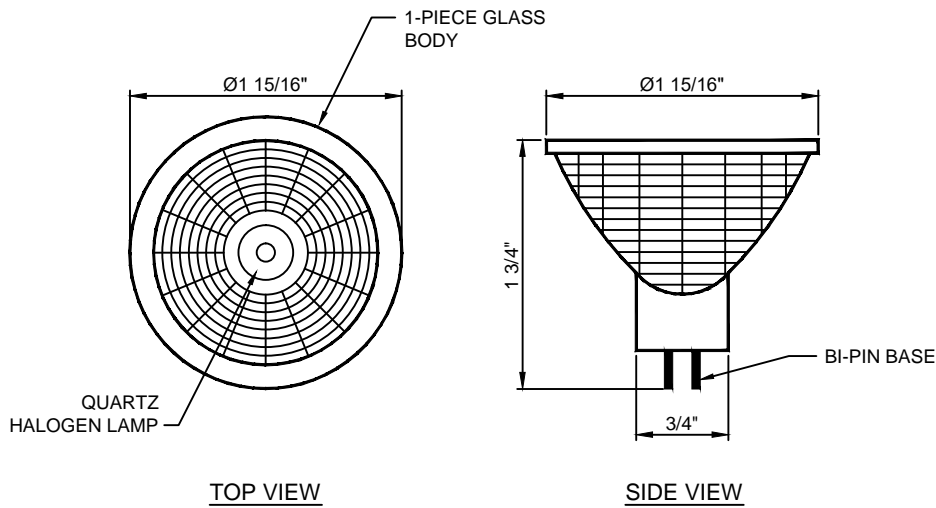




(877) 794-1802

**RFL-MR-16 SERIES, 12VAC
LOW VOLTAGE LAMP**



20 WATT, 12V.	<input type="checkbox"/>
35 WATT, 12V.	<input type="checkbox"/>
50 WATT, 12V.	<input type="checkbox"/>

12VAC

NOTE: TRANSFORMER REQUIRED; CONSULT FACTORY.

LAMP LIFE GUARANTEED BY MANUFACTURER, NOT BY ROMAN FOUNTAINS

SPECIFICATION DATA: RFL-MR-16: Available in 20, 35 and 50 watt, 12VAC, MR-16 tungsten-halogen (quartz) lamp with plug-in base. Shipped separate and installed by purchaser.

NOTE: Due to our continuing product improvement, Roman Fountains reserves the right to change the specifications without notice.

DESIGN/APPLICATION DATA: Roman Fountains RFL-MR-16 lamp is designed to be used only in Roman Fountains RFL-33 & 020 low voltage light fixtures. This bulb provides an intense 'white' light to 'spot' illuminate your water feature.

DRAWING NO.
5.508