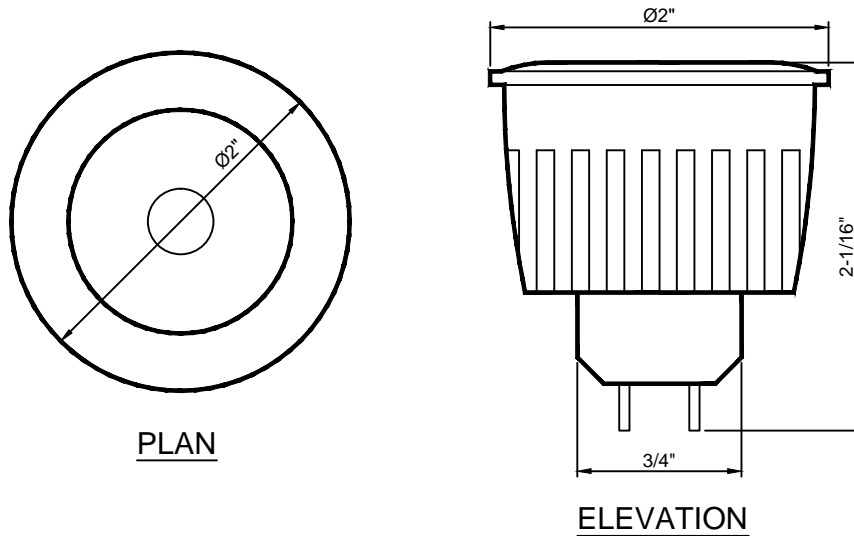
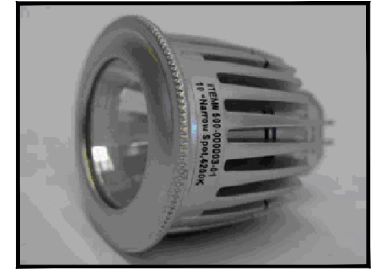




(877) 794-1802

RLED-W-MR-16, 12 VOLT
WHITE LED LAMP



12VAC
LED

TECHNICAL DATA					
MODEL	LAMP COLOR	VOLTAGE	COLOR TEMP	APPROXIMATE BEAM SPREAD	APPROXIMATE LAMP LIFE
RLED-W-10-5000-MR	WHITE	12 VAC, 5.5 WATT	5000K	10°	30,000 HOURS
RLED-W-25-5000-MR	WHITE	12 VAC, 5.5 WATT	5000K	25°	30,000 HOURS

NOTE: TRANSFORMER REQUIRED; CONSULT FACTORY.

LAMP LIFE GUARANTEED BY MANUFACTURER, NOT BY ROMAN FOUNTAINS

SPECIFICATION DATA: RLED-W-MR-10 or -25-5000-MR, lamp modules fit within most fixtures designed for MR-16 lamp applications, provide 5000K color temperature and are rated for 12VAC operation with a magnetic swimming pool transformer (available separately). These LED lamp modules provide bright white illumination and are available with a 25° or 10° beam spread reflector.

DESIGN/APPLICATION DATA: Roman Fountains RLED-W-MR-16 lamp is designed to be used only in Roman Fountains RFL-33-B, RFL-33-BC, & RBD-Series light fixtures. Lamp is not polarity sensitive and has an approximate life of 30,000 hours.

NOTE: Due to our continuing product improvement, Roman Fountains reserves the right to change the specifications without notice.

DRAWING NO.
5.509