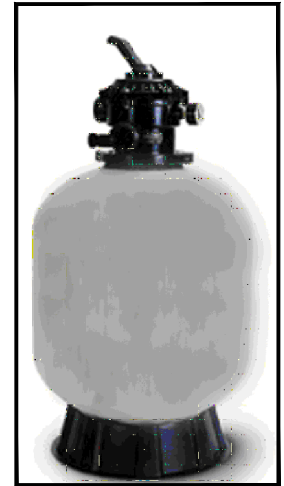
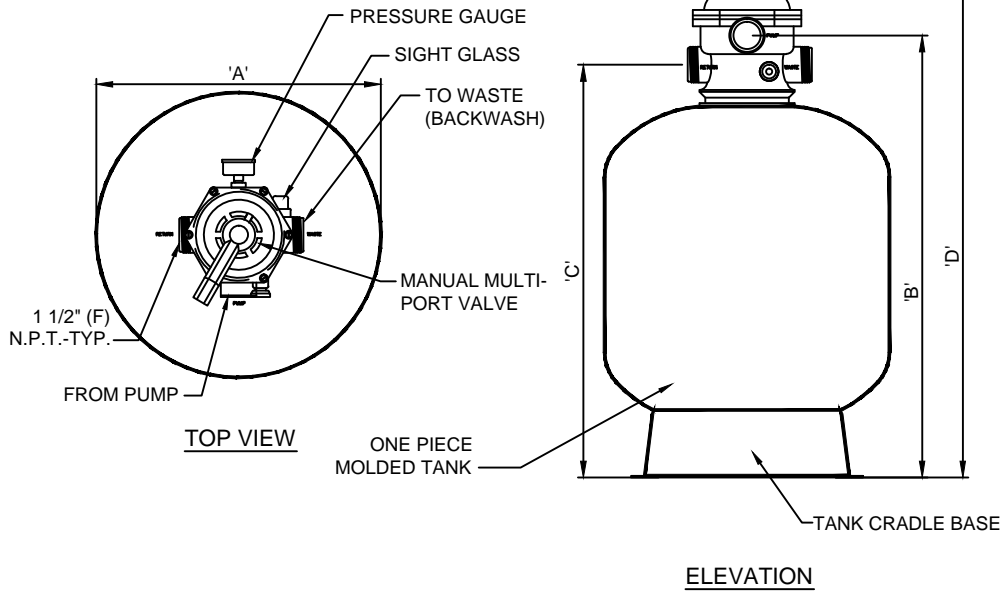




RSFP SERIES, HIGH-RATE SAND FILTER

(877) 794-1802



For Automatic Backwash Unit: see Catalog Cut Sheet 6.106 RAB Series.

TECHNICAL DATA								
MODEL NO.	AREA Sq. FT.	FLOW RATE (GPM)	SAND REQUIRED (Lbs)	EMPTY TANK WEIGHT	DIM 'A'	DIM 'B'	DIM 'C'	DIM 'D'
RSFP-35	1.4	35	100	17 Lbs.	16-1/2"	27"	24-3/4"	33"
RSFP-40D	1.8	40	175	22 Lbs.	19-1/2"	30-1/4"	28-1/4"	37"
RSFP-60D	3.1	60	325	28 Lbs	24-1/2"	35-1/4"	24-1/4"	42-1/2"

* Flow Rate will vary when used for interactive features. Consult factory.

SPECIFICATION DATA: High-Rate Sand Filter; corrosion resistant, UV resistant, precision molded, one-piece tank, patented water distribution system for even water flow over media bed, under-drain system with self-cleaning laterals, thermoplastic manual multi-port dial valve with built-in automatic air relief and pressure gauge, 1-1/2" (F)N.P.T connections and bottom mounted drain.

NOTE: Due to our continuing product improvement, Roman Fountains reserves the right to change the specifications without notice.

DESIGN/APPLICATION DATA: Roman Fountains RSFP Series filter systems are designed for use in small to medium fountains and reflecting pools where filtration is required. Available in a range of tank diameters and flow rates, permanent media sand filter systems come complete with manual multi-port valve.

FEATURES:

- Corrosion-resistant, ultraviolet resistant, precision molded one-piece tank.
 - Patented water distribution system directs water evenly across the entire surface of the sand.
 - Engineered uni-flow under-drain with self-cleaning laterals draws water evenly across the full diameter of the sand bed. This accommodates high flow and promotes cleaner filtering, high capacity cycles, and more efficient backwashing.
 - Thermoplastic manual multi-port dial valve with built-in automatic air relief and pressure gauge,
 - 6-way valve with positions. FILTER, BACKWASH, RINSE, WASTE, CLOSED, RE-CIRCULATE.
 - * Integral bottom mounted drain allows for complete, positive drain when winterizing.
- Recommended sand: #20 silica sand (.40mm to .50mm effective size)/not included.

DRAWING NO.
6.101