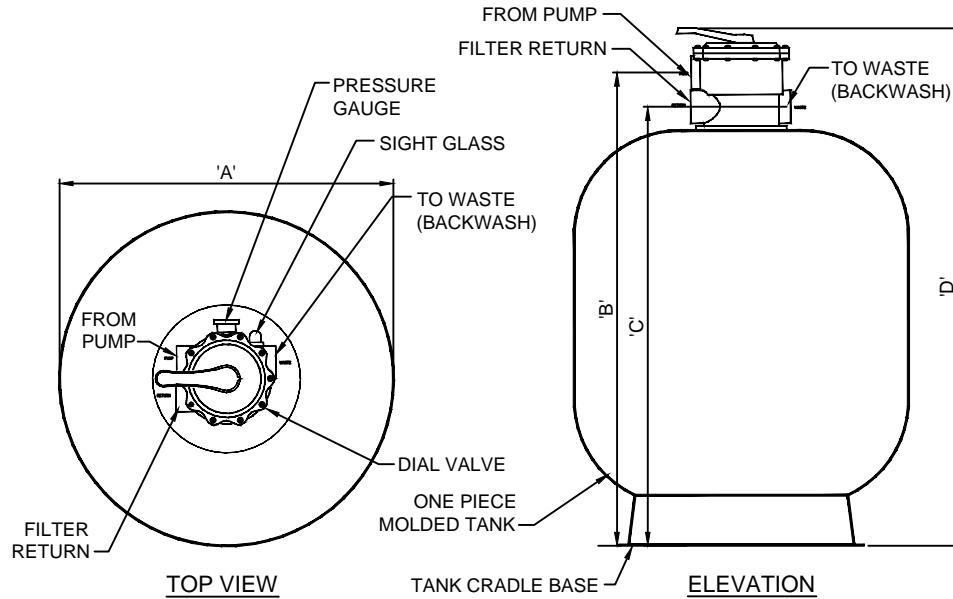




RSFP-100D, 30 1/2" DIA. HIGH-RATE SAND FILTER

(877) 794-1802



TECHNICAL DATA									
MODEL	AREA Sq. FT.	FLOW RATE (GPM)	SAND REQUIRED (Lbs)	EMPTY TANK WEIGHT	DIM 'A'	DIM 'B'	DIM 'C'	DIM 'D'	MULTI-PORT CONN.
RSFP-100D	4.9	100	600	54 Lbs	30-1/2"	42-3/16"	38-15/16"	47-1/4"	2"(F)N.P.T.

* Flow Rate will vary when used for interactive features. Consult factory.

SPECIFICATION DATA: High-Rate Sand Filter; corrosion resistant, UV resistant, precision molded, one piece tank, patented water distribution system for even water flow over media bed, under-drain system with self-cleaning laterals, thermoplastic manual multi-port dial valve with built-in automatic air relief and pressure gauge, 2" connections and bottom mounted drain.

NOTE: Due to our continuing product improvement, Roman Fountains reserves the right to change the specifications without notice.

DESIGN/APPLICATION DATA: Roman Fountains RSFP Series filter systems are designed for use in small to medium fountains and reflecting pools where filtration is required.

FEATURES:

- Corrosion-resistant, ultraviolet resistant, precision molded one-piece tank.
- Patented water distribution system directs water evenly across the entire surface of the sand.
- Engineered uni-flow underdrain with self-cleaning laterals draws water evenly across the full diameter of the sand bed. This accommodates high flow and promotes cleaner filtering, high capacity cycles, and more efficient backwashing.
- Thermoplastic manual multi-port dial valve with built-in automatic air relief and pressure gauge,
- 6-way valve with positions. FILTER, BACKWASH, RINSE, WASTE, CLOSED, RE-CIRCULATE.

Integral bottom mounted drain allows for complete, positive drain when winterizing.

*Recommended sand: #20 silica sand (.40mm to .50mm effective size)/not included.

DRAWING NO.
6.102