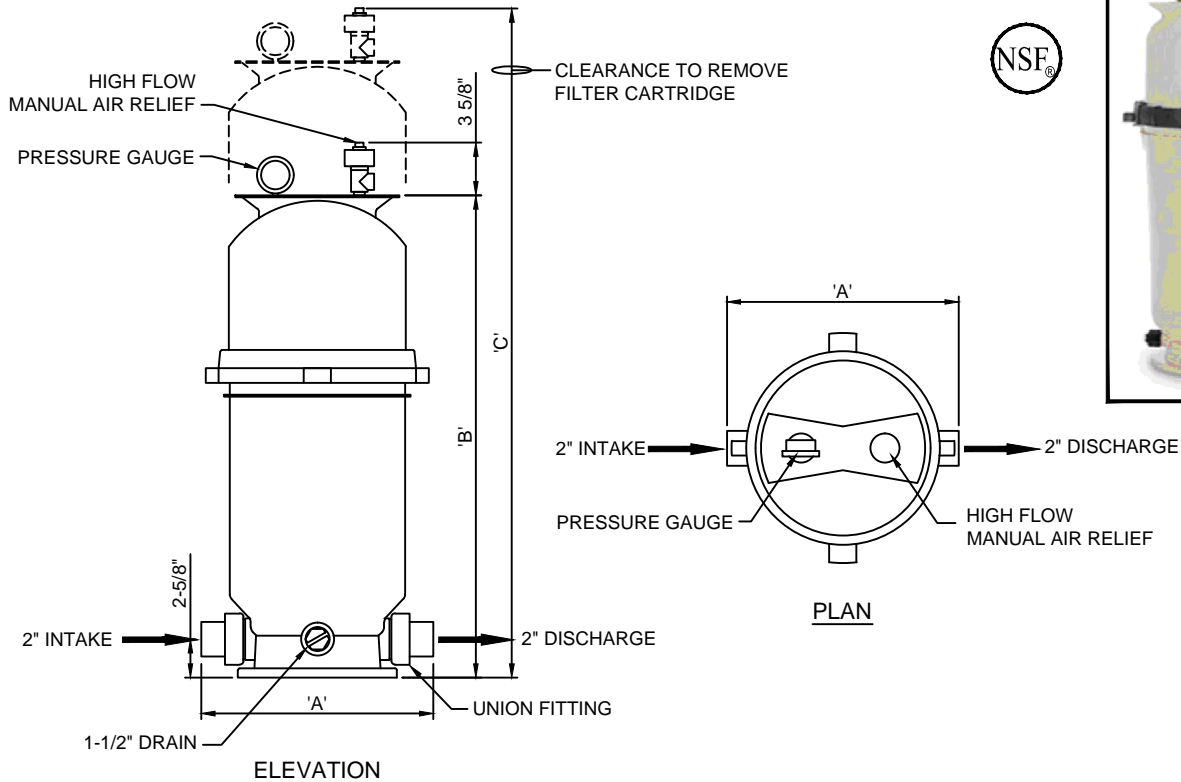




# RCCF SERIES, CARTRIDGE FILTER

(877) 794-1802



TECHNICAL DATA						
MODEL NO.	DIM 'A'	DIM 'B'	DIM 'C'	FILTRATION AREA SQ. FT.	*FLOW RATE GPM	*TURNOVER CAPACITY GALLONS PER 8 HR
RCCF-050	15-1/2"	18"	30"	50	19	24,000
RCCF-075	15-1/2"	25-1/2"	39"	75	28	36,000
RCCF-100	15-1/2"	33"	61"	100	38	48,000
RCCF-150	15-1/2"	40-1/2"	76"	150	56	72,000
RCCF-200	15-1/2"	40-1/2"	76"	200	75	72,000

\*NOTE: .375 G.P.M./ sq.ft. based on NSF standards for commercial pool applications  
Flow rates may vary when used on interactive features.

**SPECIFICATION DATA:** Cartridge Filter; one-piece injection molded base and body, of glass filled thermoplastic resin, corrosion resistant, patented internal sediment catcher, "ring-lok" safety tab, removable for positive closure and ease of maintenance, automatic air bleed, pressure gauge with cycle indicator, coreless polyester filter, 2" SPG X 1-1/2" PVC Socket union connections, low profile design, 1-1/2" drain. NSF RATED.

**NOTE:** Due to our continuing product improvement, Roman Fountains reserves the right to change the specifications without notice.

**DESIGN/APPLICATION DATA:** Roman Fountains RCCF Series cartridge filter systems are designed for use in small to medium size fountain pools and reflecting pools where filtration to maintain water clarity is required. Available in a wide range of filter areas and flow rates, cartridge filter systems are pre-engineered and complete with pleated cartridge element and support base.

DRAWING NO.  
**6.108**