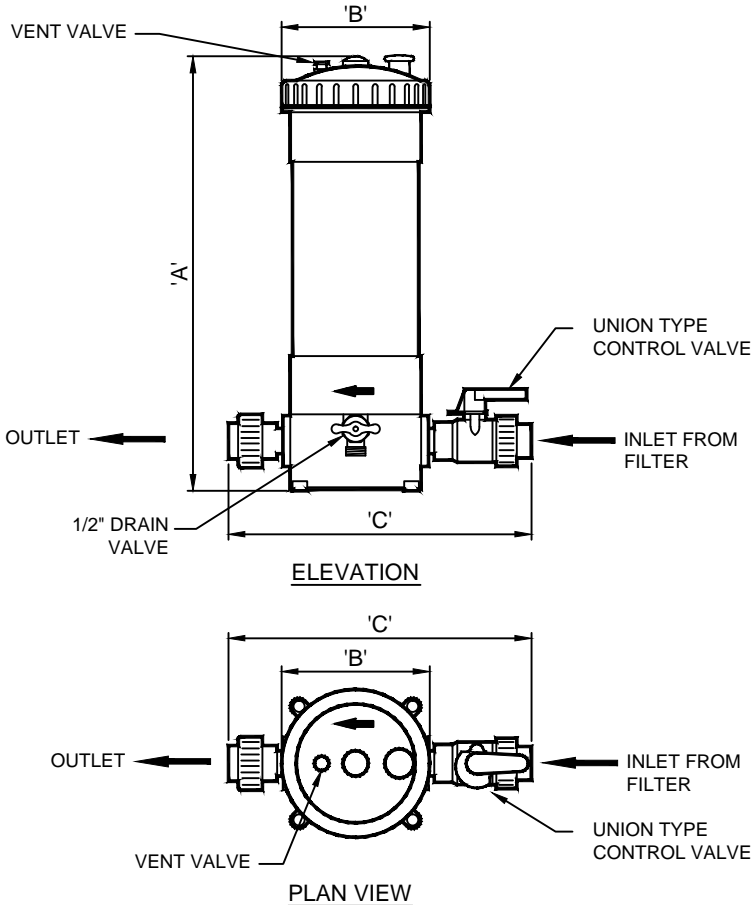




RCBU SERIES, COMMERCIAL HIGH-CAPACITY BROMINE/CHLORINE EROSION TYPE FEEDER

(877) 794-1802



NOTE: Do not install using copper piping or, pipe damage may result.

TECHNICAL DATA

MODEL	POOL SIZE GAL/24 HR. TRICHLOR/ BROMINE (10ppm)	TANK HOLDING CAPACITY	MAX. OUTPUT RATE (1 HR.) TRICHLOR/ BROMINE	MAXIMUM OPERATING PRESSURE	INLET + OUTLET PIPE CONNECTIONS	'A' DIM.	'B' DIM.	'C' DIM.
RCBU-3315	97.6K/20.2K	15 LBS.	1.22/0.57	50 PSI	1" F (NPT)	22-1/2"	8"	16"
RCBU-3330	160K/40.9K	30 LBS.	2.0/1.15	50 PSI	1" F (NPT)	39-1/8"	8"	16"
RCBU-3340	332K/61.5K	40 LBS.	4.15/1.73	50 PSI	1" F (NPT)	49-3/4"	8"	16"

SPECIFICATION DATA: Enclosed system, Heavy wall 'Cyclac' construction w/molded-in bolt down lugs, quick-release lid clamp, PVC control valve, hose bibb drain valve, air vent valve, inlet and outlet pipe connections.

NOTE: 1. A corrosion resistant check valve should be installed to prevent sanitizer backflow; consult factory.

2. To be NSF listed, a flow rate indicator must be installed on inlet side of tank. Consult factory.

3. Due to our continuing product improvement, Roman Fountains reserves the right to change the specifications without notice.

DRAWING NO.
6.202