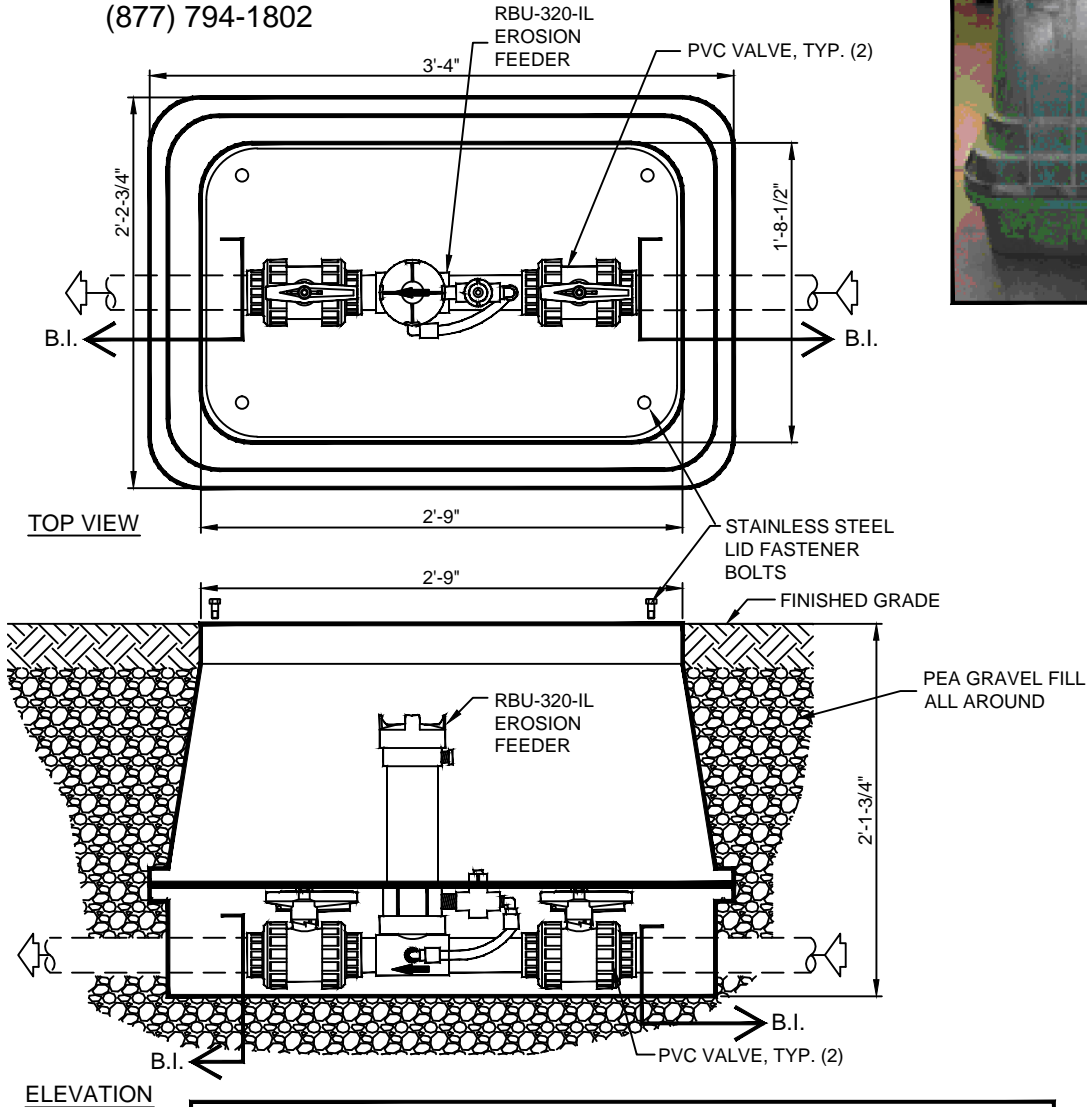
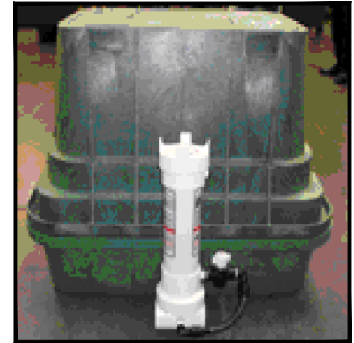




RIBU-320-IL-VB, IN-GROUND CHLORINE/BROMINE UNIT

(877) 794-1802



TECHNICAL DATA				
MODEL	TREATMENT CAPACITY	CAPACITY (BROMINE/CHLORINE)	MAX. OP. PRESSURE	CONNECTIONS
RIBU-320-IL-V	UP TO 4000 GAL.	4 LBS.	50 P.S.I.	1 1/2"X2" PVC SLIP

SPECIFICATION DATA: Large capacity 'HDPE', injection molded two-piece plastic housing with re-inforcing ribs, and bolt-down lid. In-line erosion type chemical feeder/sanitizer unit with inlet control valve, threaded lid w/O' ring gasket, 1 1/2"x 2" socket PVC connectors (reducing bushings included), and two (2) PVC valves for unit service isolation purposes.

NOTE: Due to our continuing product improvement, Roman Fountains reserves the right to change the specifications without notice.

DESIGN/APPLICATION DATA: RIBU-320-IL-VB, in-ground erosion feeder unit is designed for use in fountain water treatment applications where a remote chemical feeder installation is required or desired for health, safety, and/or ease of service access and maintenance. The "flush-to-grade" design allows for discreet installation below grade into the finished landscape between the mechanical equipment room and fountain pool.

DRAWING NO.
6.203