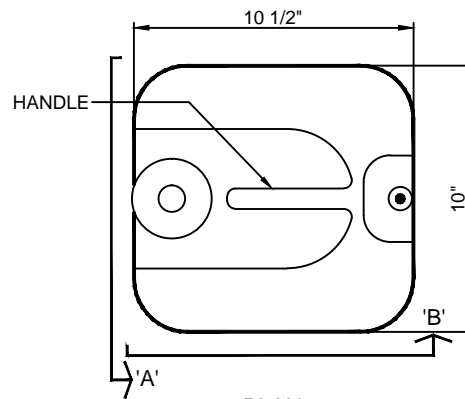
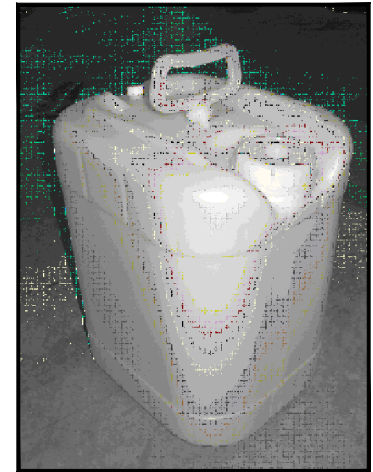


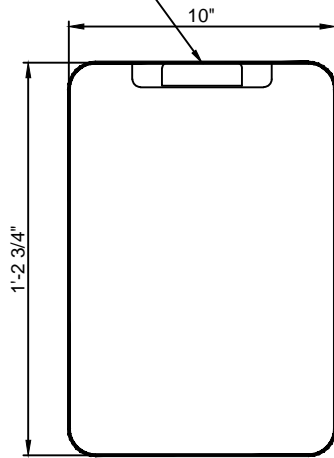


RST SERIES, CHEMICAL SOLUTION STORAGE TANK

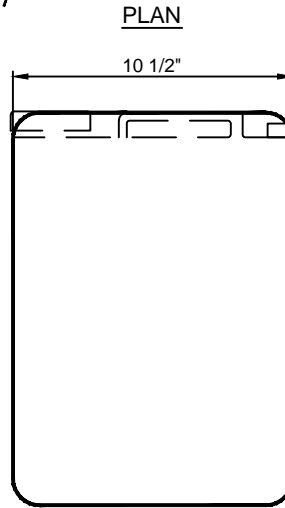
(877) 794-1802



ACCESS OPENING W/THREADED CAP



ELEVATION 'A'



ELEVATION 'B'

SPECIFICATION DATA: 5 gallon polypropylene Chemical Storage Tank for acid or base solution, as required to maintain proper water pH balance.

NOTE: Due to our continuing product improvement, Roman Fountains reserves the right to change the specifications without notice.

NOTE: USE IN CONJUNCTION WITH CHEMICAL METERING PUMP; SEE CATALOG SHEET #6.208