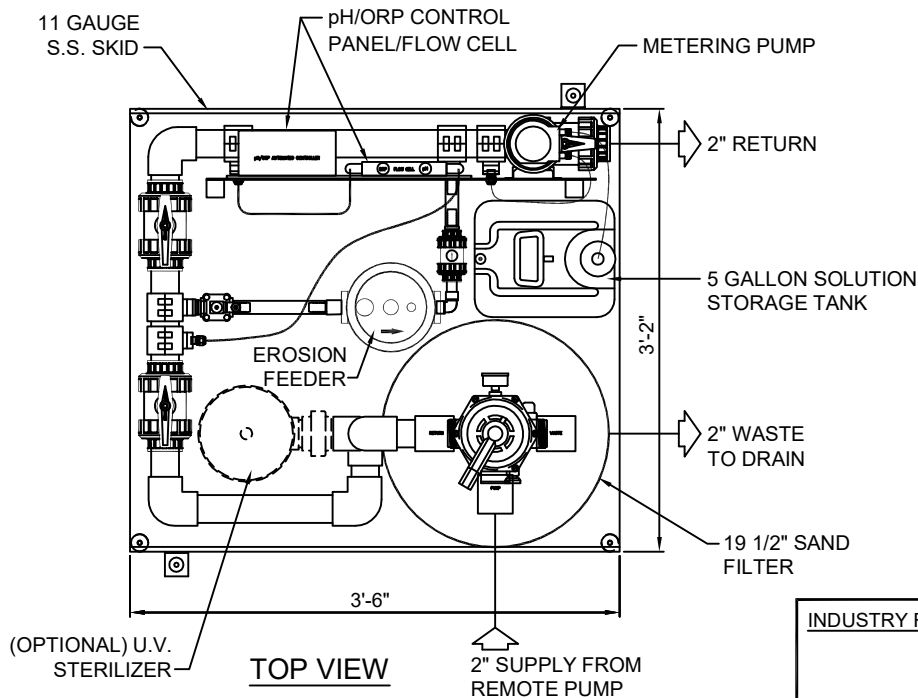




(877) 794-1802

RSM-WTS SKID-MOUNTED, WATER TREATMENT SYSTEM

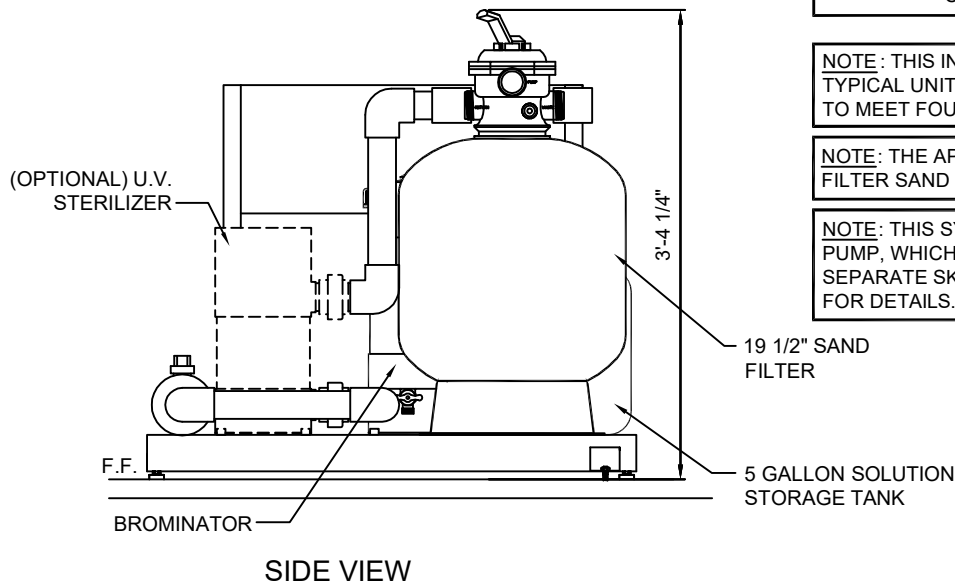


INDUSTRY RECOMMENDED WATER CHEMISTRY RANGES	
<small>*For interactive water features, ranges may vary</small>	
Free Chlorine:	1.0-3.0 ppm
pH:	7.4-7.6
Total Alkalinity:	70-100 ppm
Calcium (Total Hardness):	150 ppm

NOTE: THIS INFORMATION REPRESENTS MANUFACTURERS TYPICAL UNIT. VARIATIONS MAY OCCUR IN SPECIFIED UNIT TO MEET FOUNTAIN DESIGN & MECHANICAL REQUIREMENTS.

NOTE: THE APPROPRIATE TYPE AND AMOUNT OF FILTER SAND MEDIA IS REQUIRED; BY INSTALLER.

NOTE: THIS SYSTEM DOES NOT INCLUDE THE PUMP, WHICH IS TYPICALLY FURNISHED ON A SEPARATE SKID SYSTEM. CONTACT FACTORY FOR DETAILS.



SPECIFICATION DATA: Skid-Mounted Dual-Point Automatic Water Treatment System Station; consisting of a reinforced 11 gauge, mill finish stainless steel platform with leveling feet measuring approx. 38"W x 42"L. System consists of: Dual-Point controller with digital read-out, flow cell mixing sampling chamber with clear view cover, ORP and pH electrodes, 5 gallon acid or base storage tank with metering pump, chemical erosion feeder with solenoid activated feed valve, 19 1/2" sand filter and all necessary valves, tubing, hoses, fittings & clamps. System requires 120 volt, single phase power outlet.

NOTES:

1. Provide adequate ventilation (min. 25 CFM/HP) and floor drain at pump room.
2. Allow adequate space around entire skid system for servicing, maintenance, and electrical code clearances.
3. Cartridge filter can be substituted for sand filter. Consult factory.
4. Due to our continuing product improvement program, Roman Fountains reserves the right to change the specifications without notice.

DRAWING NO.
6.402