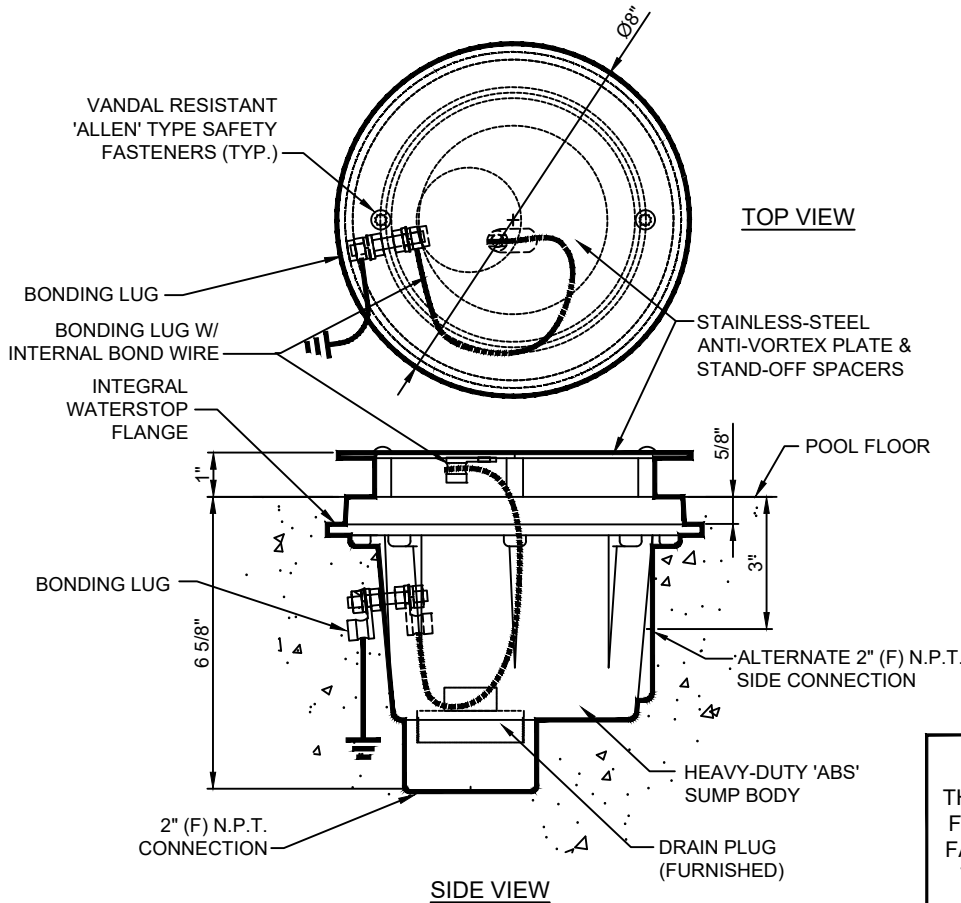




RAVS-800-F-SS, 8" DIA. ANTI-VORTEX PLATE & SUMP ASSEMBLY

(877) 794-1802



RECOMMENDED MAXIMUM FLOW RATE: 50 GPM @ 16" WATER DEPTH

25 SQ. INCH OPEN AREA = .810 FPS SUCTION VELOCITY @ 50 GPM.

SAFETY NOTICE
THE ANTI-VORTEX PLATE MUST BE FIRMLY IN PLACE AND SECURELY FASTENED TO SUMP BODY AT ALL TIMES TO GUARD AGAINST THE POSSIBILITY OF SUCTION ENTRAPMENT. NEVER REMOVE PLATE UNLESS FOUNTAIN IS SHUT OFF AND COMPLETELY DRAINED.

SPECIFICATION DATA: Anti-Vortex Plate and Sump Assembly; constructed of a heavy duty injection molded ABS plastic sump with integral waterstop and 2"(F) N.P.T. side and bottom connections with PVC male threaded plug for unused connection, 8" diameter stainless-steel anti-vortex plate, and 'ALLEN' type S.S. vandal resistant safety fasteners and wrench.

- NOTES:**
1. If the device is the sole suction source for the recalculation system, use two (2) minimum, to lessen the potential risk or entrapment.
 2. Due to our continuing product improvement, Roman Fountains reserves the right to change the specifications without notice.

DESIGN/APPLICATION DATA: Roman Fountains RAVS-800-F-SS, anti-vortex plates and sumps are designed for use in fountains and reflecting pools using remote pumping systems. Used as primary suction fittings for filtration systems they provide a per-fabricated mechanism for returning water from pool to pump, eliminating vortexing (drawing air into the pump) and promoting efficient recirculation. They are also designed for use as discharge diffusion devices to return water to the pool without turbulence.