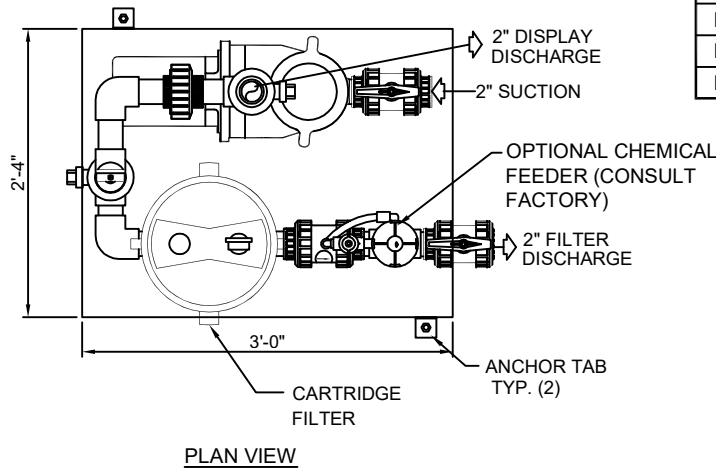
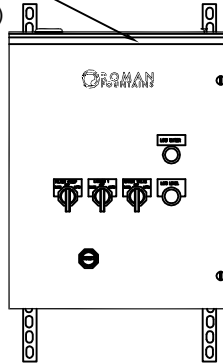
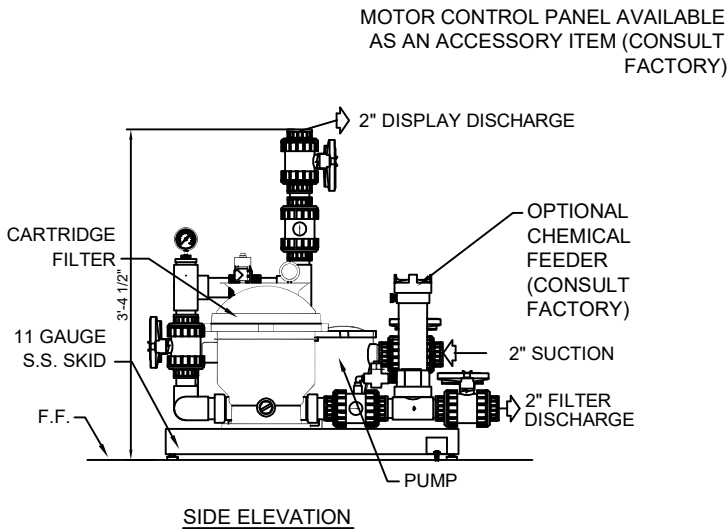


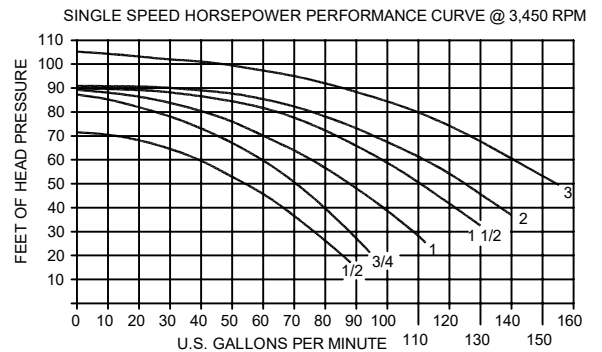


(877) 794-1802

# RSM-1-RWSP, SKID-MOUNTED PUMP/CARTRIDGE FILTER



TECHNICAL DATA		
MODEL #	PUMP HP	REQUIRED SYSTEM POWER SUPPLY
RSM-1-RWSP-050	1/2	120/208-240v., 1Ø
RSM-1-RWSP-075	3/4	120/208-240v., 1Ø
RSM-1-RWSP-100	1	120/208-240v., 1Ø, or 208/240/460v., 3Ø
RSM-1-RWSP-150	1 1/2	120/208-240v., 1Ø, or 208/240/460v., 3Ø
RSM-1-RWSP-200	2	208-240v., 1Ø, or 208/240/460v., 3Ø
RSM-1-RWSP-300	3	208-240v., 1Ø, or 208/240/460v., 3Ø



**SPECIFICATION DATA :** Skid-Mounted Pump/Cartridge Filter Station; consisting of a reinforced 11 gauge, mill finish stainless steel platform with leveling feet measuring approximately 28"W x 36"L, recirculating pump and strainer with the horsepower and power requirement as specified in table above, 50 sq. ft. cartridge filter; necessary isolation and check valves, Schedule 80 PVC piping.

**DESIGN/APPLICATION DATA :** RSM-Series 1, skid-mounted pump stations are designed for small fountains up to 150 GPM where a pre-fabricated pump and filter station is desired. All units are factory assembled and tested prior to shipment to job site, minimizing installation and maintenance costs. Skid units may be specified/ordered with motor control panel and water treatment equipment; consult factory.

- NOTES:**
1. Provide adequate ventilation (min. 25 CFM/HP) and drainage at pump room.
  2. Allow adequate space around entire skid system for servicing, maintenance, and electrical code clearances.
  3. Optional "low-flow" device available. Consult factory.
  4. Information on this sheet represents manufacturers' typical unit. Variations may occur in specified unit to meet fountain design and mechanical requirements.
  5. Due to continuing product improvement program, Roman Fountains reserves the right to change specifications without notice.