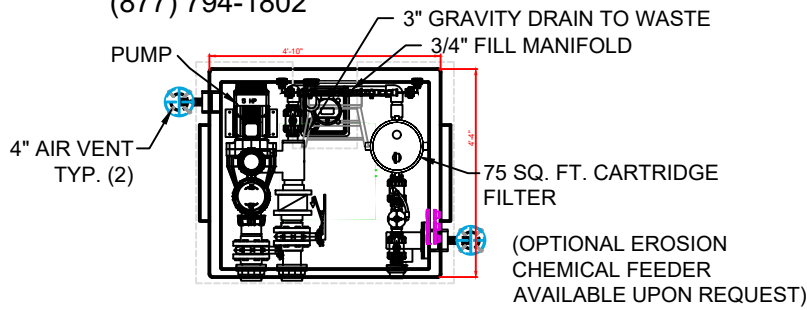
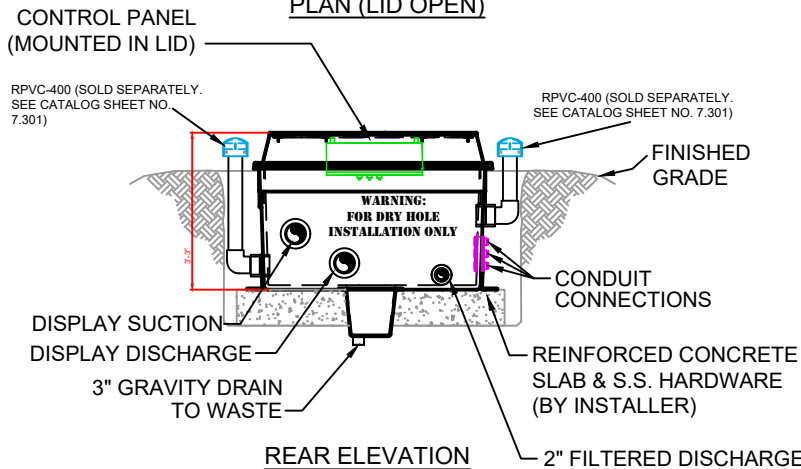


(877) 794-1802



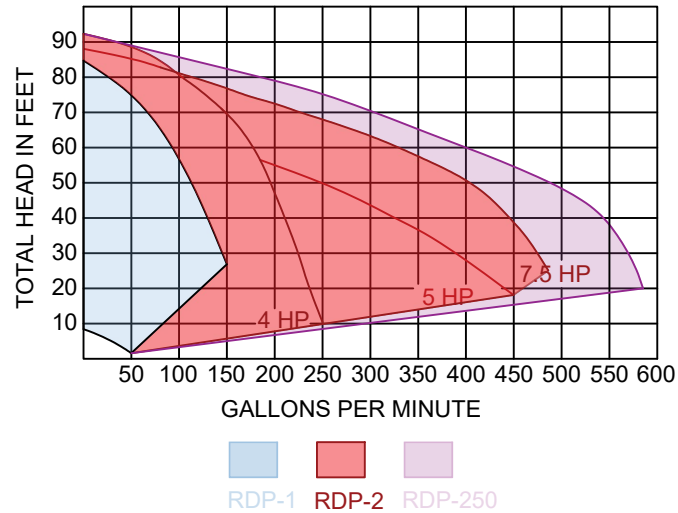
PLAN (LID OPEN)



REAR ELEVATION



**WARNING: FOR 'DRY HOLE' INSTALLATION ONLY!**



TECHNICAL DATA			
MODEL #	PUMP HP	SUCT X DISP (F) SOCKET	AVAILABLE SYSTEM OPTIONS POWER
RDP-2-400	4**	4" x 4"	115/208-230V, 1Ø or 208-230/460, 3Ø
RDP-2-500	5**	4" x 4"	115/208-230V, 1Ø or 208-230/460, 3Ø
RDP-2-750	7.5	4" x (1)4" (1)3"	115/208-230V, 1Ø or 208-230/460, 3Ø

SUCTION MUST BE INCREASED TO 6" IMMEDIATELY OUTSIDE VAULT.  
 \*\* VFD OPTION AVAILABLE

**SPECIFICATION DATA:** Series 2 Direct Burial Pump Vault, consisting of a 4'-10" x 4'-4" x 3'-2 3/4" deep heavy duty FRP vault with white gel-coat interior and brown gel-coat exterior, furnished with fiberglass reinforced plastic lid with stainless steel piano hinge attachment and locking device, containing a RSPP-95 self-priming display pump with integral suction strainer, RCCF-075, 75 sq. ft filter unit, 4" vent connections with 250 CFM vent fan, RMS-075-NS, 3/4" fill manifold assembly, erosion chem feeder, 3" floor drain, U.L. 508 listed control panel in a NEMA 4 enclosure, containing; main disconnect; pump starter with circuit breaker, contactor & adjustable, solid-state overload, single-channel programmable time switch(es), for pump and lights, H.O.A. switch(es), plus lighting contactor(s), G.F.C.I. breaker(s), and water level/low level cutoff control (when applicable). Unit is pre-wired, pre-plumbed (Schedule 80 PVC) and factory tested, prior to shipment.

**OPTIONS:**

4'-0" x 4'-6" 'BILCO' locking aluminum Diamond Plate Hatchway with lock-open arm. Add RBH-DP to Model Number.

**NOTES**

- Hatch opening must be located in flood-safe area.
- Slope finished grade away from pump module.
- Protect pump module gravity drain from back flow and sewer gas.
- Top of pump module must be at, or below lowest pool water level.
- Due to our continuing product improvement program, Roman Fountains reserves the right to change specifications w/o notice.