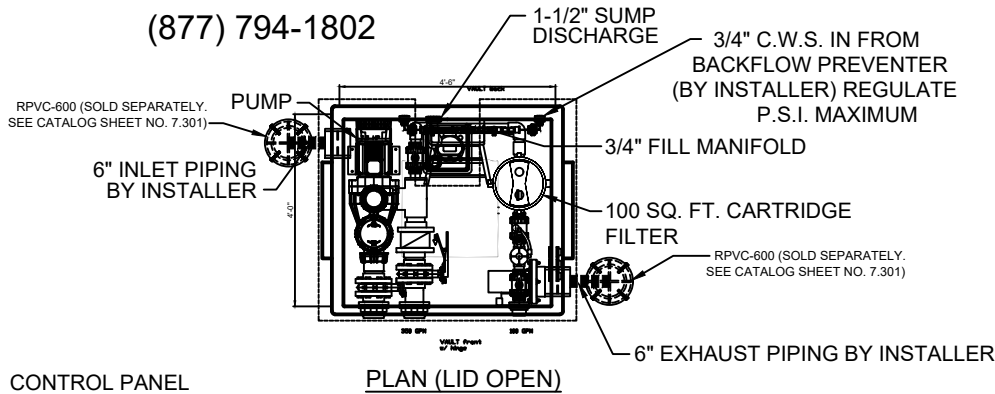


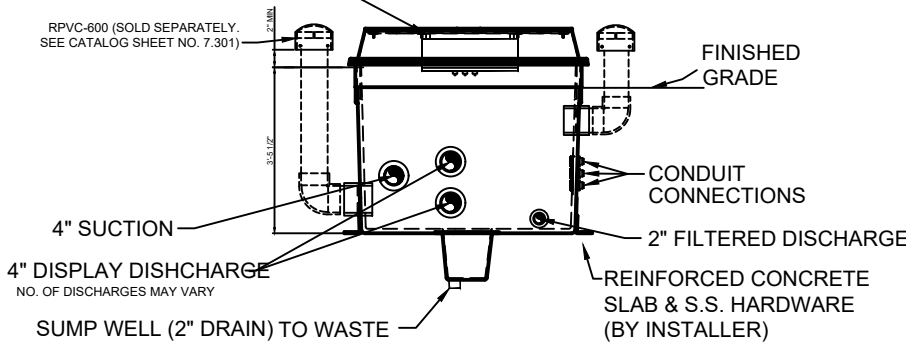


RDP-250 SERIES, DIRECT BURIAL FIBERGLASS EQUIPMENT VAULT

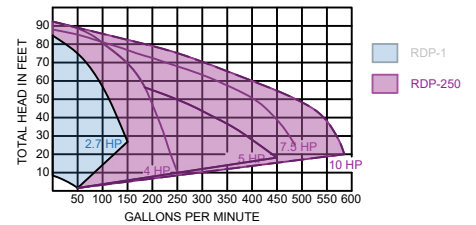
(877) 794-1802



CONTROL PANEL (MOUNTED IN LID)



WARNING: FOR 'DRY HOLE' INSTALLATION ONLY!



REAR ELEVATION

TECHNICAL DATA							
MODEL #	PUMP HP	SUCT X DISP (F) SOCKET	AVAILABLE SYSTEM OPTIONS				
			POWER		FILTRATION		
RDP-250-400	4	4" X 4"	208-230V, 1Ø or 208-230/460, 3Ø		CARTRIDGE	SAND	BIO-BEAD
RDP-250-500	5	4" X 4"	208-230V, 1Ø or 208-230/460, 3Ø		CARTRIDGE	SAND	BIO-BEAD
RDP-250-750	7.5	4" X (2) 4"	208-230V, 1Ø or 208-230/460, 3Ø		CARTRIDGE	SAND	BIO-BEAD
RDP-250-1000	10	4" X (2) 4"	208-230/460, 3Ø		CARTRIDGE	SAND	BIO-BEAD

SUCTION MUST BE INCREASED TO 6" IMMEDIATELY OUTSIDE VAULT. VFD OPTION AVAILABLE FOR ALL 3PH PUMPS

SPECIFICATION DATA: Series 250, Direct Burial Pump Vault, consisting of a 4'-0" x 4'-6" x 4'-2 3/4" deep heavy duty FRP vault with white gel-coat interior and brown gel-coat exterior, furnished with fiberglass reinforced plastic lid with stainless steel piano hinge attachment and locking device, containing a RSPP-95, self-priming display pump with integral suction strainer, Cartridge -or- Sand -or- Bio-Bead Filtration, 6" vent connections with 510 CFM vent fan, RMS-075-NS, 3/4" fill manifold assembly, 3" floor drain, U.L. 508 listed control panel in a NEMA 4 enclosure, containing; main disconnect; pump starter with circuit breaker, contactor & adjustable, solid-state overload, single-channel programmable time switch(es), for pump and lights, H.O.A. switches, plus lighting contactors (when applicable), G.F.C.I. breaker(s), and water level/low level cutoff control (when applicable). Unit is pre-wired, pre-plumbed (Schedule 80 PVC) and factory tested, prior to shipment. Optional: aluminum Diamond Plate Hatchway

- NOTES:**
- Hatch opening must be located in flood-safe area.
 - Slope finished grade away from pump module.
 - Protect pump module gravity drain from back flow and sewer gas.
 - Top of pump module must be at, or below lowest pool water level.
 - Due to our continuing product improvement program, Roman Fountains reserves the right to change the specifications w/o notice.

DRAWING NO.
7.204