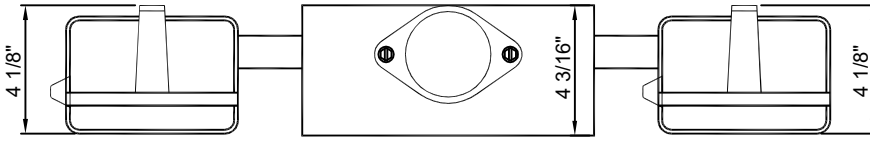




(877) 794-1802

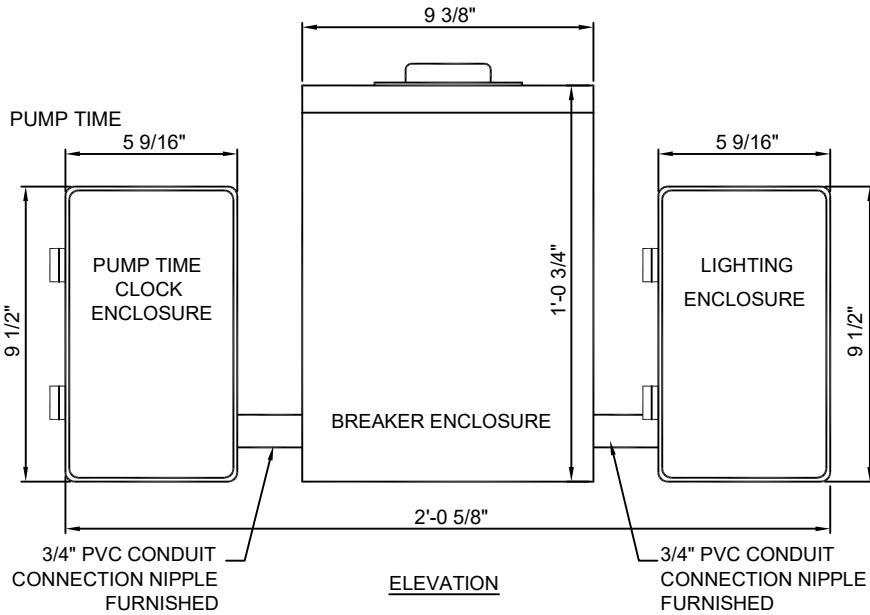
# RTCP-PCLC, TIMECLOCK LOAD CENTER ASSEMBLY



PLAN VIEW

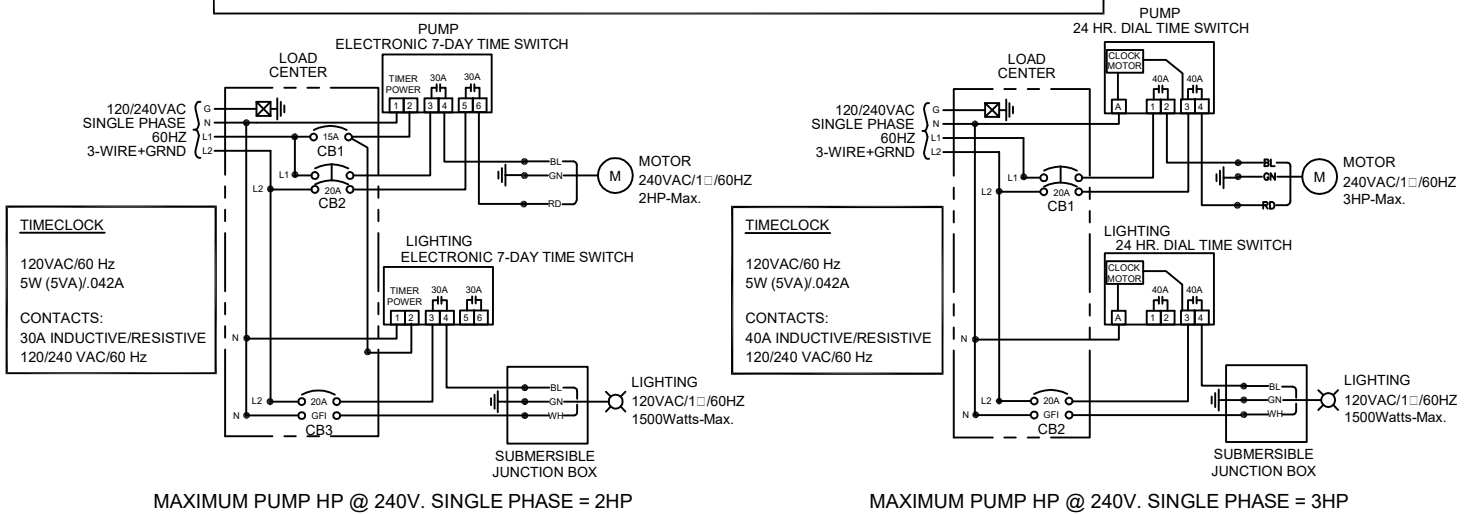


TIMECLOCK/LOAD CENTER ASSEMBLY SHOWN WITH OPTIONAL STAINLESS STEEL BACKING PLATE



ELEVATION

**'TYPICAL' SCHEMATICS DEPICTED. ACTUAL SCHEMATICS WILL VARY PER PROJECT.**



**SPECIFICATION DATA :** Timeclock/Load Center Assembly, for pumps and lights; unit consists of two (2) timeclocks with (inductive) contacts mounted in NEMA 3R enclosures and a 2 pole-100A load center with Class 'A' G.F.C.I. breaker mounted in NEMA 4 enclosure.

**NOTE:** Due to our continuing product improvement program, Roman Fountains reserved the right to change the specifications without notice.

DRAWING NO.  
**7.310**