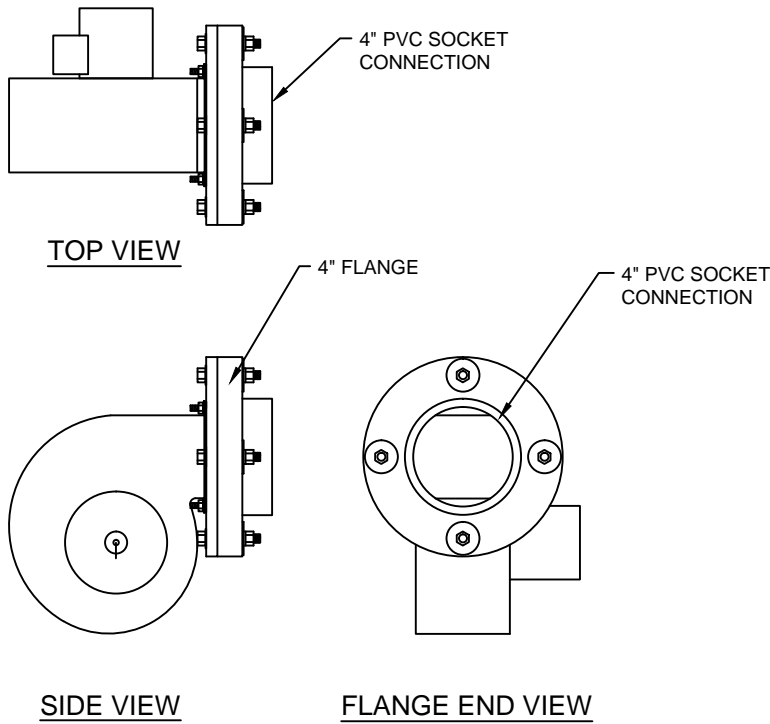


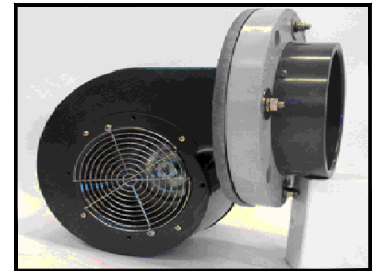


(877) 794-1802

RSPB-400, SHADED-POLE BLOWER W/ 4" OUTLET



MOTOR SIDE WITH END SHIELD



INTAKE SIDE WITH FAN GUARD

CFM AIR DELIVERY @ STATIC PRESSURE (SP) SHOWN				
0.100" SP	0.200" SP	0.300" SP	0.400" SP	0.500" SP
250 CFM	232 CFM	212 CFM	184 CFM	135 CFM
115 VOLT	1.95 FLA	50/60 HZ.	AUTO RESET THERMAL PROTECTION	104°F MAX AMBIENT TEMP

NOTE: CFM VALUES +/- 15%.

NOTE: MOTOR OVERLOAD WILL RESULT IF BLOWER IS OPERATED AT "SP" BELOW PERFORMANCE SHOWN.

SPECIFICATION DATA : Powerful shaded-pole blower with forward curve wheel, driven by totally enclosed, permanently lubricated ball-bearing motor. Blowers are dynamically balanced with heavy-gauge, rolled steel housing for increased rigidity. Louvered end shield ensures greater heat dissipation and protection. Gray enamel finish, with PVC mounting flange, and heavy welded wire fan blade finger guard.

NOTE: Due to our continuing product improvement program, Roman Fountains reserved the right to change the specifications without notice.