



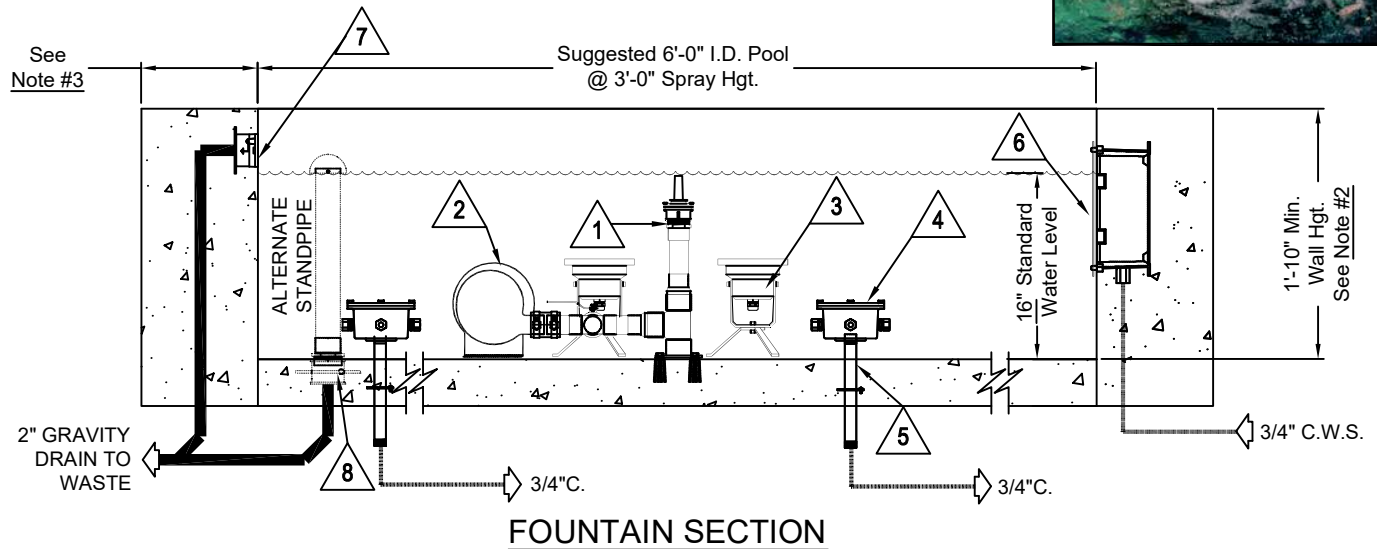
(877) 794-1802

RBK-100-B, BUBBLER NOZZLE KIT KIT W/ WHITE LED LIGHTS



OPERATING DATA:

NOISE: _____ Low
 VISIBILITY: _____ Excellent
 SPLASH/MIST: _____ Low
 WIND STABILITY: _____ Good
 AERATION QUALITY: _____ Excellent



TECHNICAL DATA

1	2	3	4	5	6	7	8			
NOZZLE SIZE/TYPE	NOM. SPRAY HEIGHT	NOM. SPRAY DIAMETER	SUB. PUMP TYPE/QTY.	SUB. LIGHT TYPE/QTY.	SUB. J-BOX TYPE/QTY.	WATER STOP TYPE/QTY.	WATER MAKE-UP TYPE/QTY.	SIDEWALL OVERFLOW TYPE/QTY.	FLOOR DRAIN TYPE/QTY.	ELECTRONIC CONTROLS
RBN-100-S 1" BUBBLER	3'	24"	RHSP-050 (1)	RFL-FS-LED-W (2)	RJB-1-075-C (1) RJB-2-075-C (1)	RWS-075-L (2)	RNB-075-WN (1)	ROVS-200-W (1)	RFD-200 (1)	RPCP/RLCP

SPECIFICATION DATA: Bubble Nozzle Fountain Kit; Machined bronze and copper nozzle, bronze U.L. listed submersible pump, ETL listed submersible White LED lights, bronze submersible junction box, timeclock/loadcenter/with LED power supplies, brass conduit slab penetration fitting, mechanical water makeup unit, overflow drain, floor drain, brass/copper nozzle riser assembly with support base, hose and S.S. clamp connections and regulating and bypass valves. 120 volt, single phase power required with 20 Amp G.F.C.I. breaker for pump circuit, and 15 Amp G.F.C.I. breaker for lighting circuit, By Installer.

DESIGN/APPLICATION DATA: Roman Fountains RBK-100-B, Bubbler nozzle fountain kit provides a coordinated selection of components, pre-engineered and tested to produce a highly aerated low mound of water. Bubbler nozzle kits offer ease of installation and low installed equipment cost. Submersible White LED lighting is included for nighttime viewing.

NOTES: 1. Fountain Kit is Pre-Engineered for 16" operating water depth.

2. Minimum poured wall height; any capping thickness is added to this dimension.

3. 10" Minimum wall thickness required for sidewall type overflow fitting; 8", for standpipe type overflow fitting.

4. Leave ample cord length; Do not cut short.

5. Remove valve handles once adjusted.

6. Bubbler nozzles generate wave turbulence in small confined pools and may require a dampening device; consult factory for information on this accessory item.

7. Due to continuing product improvement program, Roman Fountains reserves the right to change the specifications without notice.

DRAWING NO.
2.112