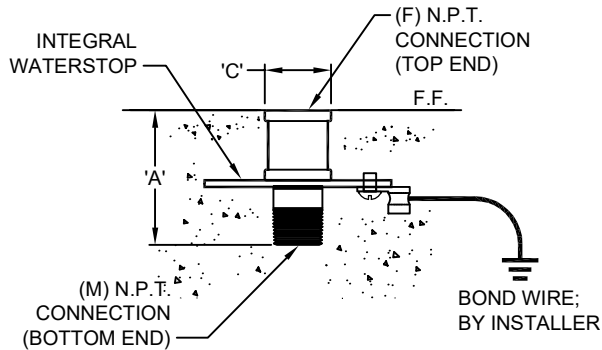


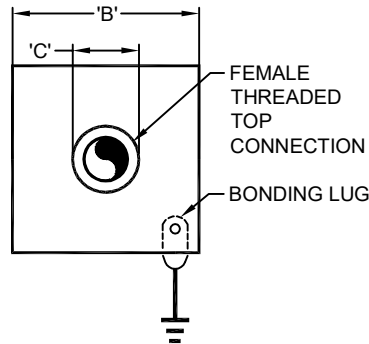


(877) 794-1802

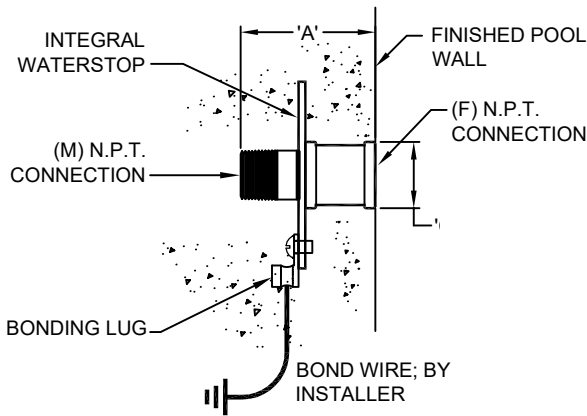
RWS-CS-SERIES, SLAB PENETRATION FITTING (SHORT) ADAPTER STYLE



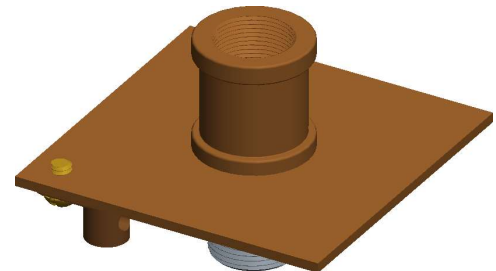
FLOOR APPLICATION ELEVATION



PLAN VIEW



WALL APPLICATION ELEVATION



3D IMAGE

SPECIFICATION DATA: Slab Penetration Fitting (Short Adapter Style); machined brass, one-piece construction, with integral waterstop flange, bonding lug, (F) N.P.T. top connection and (M) N.P.T. bottom connection.

DESIGN/APPLICATION DATA: Roman Fountains RWS-CS Series, slab penetration fittings are designed and fabricated for casting into concrete pool walls and slabs as a waterstop device and a concrete key fitting. The fitting provides a rigid, threaded connection for display nozzles, conduits, and other pool fittings.

NOTE: Due to continuing product improvement program, Roman Fountains reserves the right to change the specifications without notice.

TECHNICAL DATA				
MODEL	N.P.T.	LENGTH 'A'	FLANGE SIZE 'B'	EXPOSED 'C'
RWS-050-CS	1/2"	2 3/4"	4" Sq.	1-3/16"
RWS-075-CS	3/4"	3"	4" Sq.	1-7/16"
RWS-100-CS	1"	3 1/2"	4" Sq.	1-3/4"

DRAWING NO.
1.808