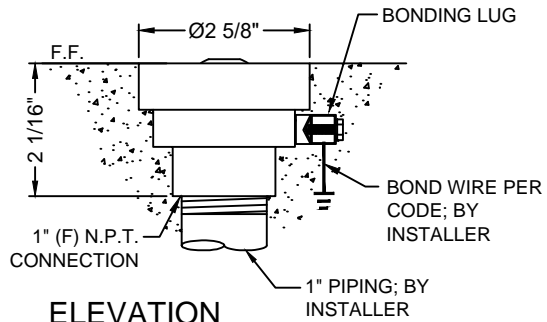
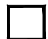



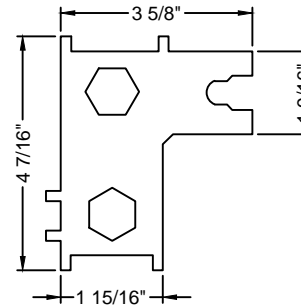


RBBK-NOZZLE BODY, W/  
1" (F) N.P.T. CONNECTION



 BRASS  
 STAINLESS STEEL

		TECHNICAL DATA							
Model No.		SPRAY HEIGHT							
		2'-0"	3'-0"	4'-0"	5'-0"	6'-0"	7'-0"	8'-0"	
RDHN-APJ	GPM	4.08	4.93	5.71	6.49	7.02	7.58	8.15	
	HEAD	3.46'	4.62'	6.93'	8.08'	9.24'	10.39'	11.55'	



RFSW-TOOL, Flat  
Spanner Wrench  
(Offered as an Accessory Item)

**SPECIFICATION DATA:** RAPJ-100, Flush Deck Nozzles are machined from brass or type 303 stainless steel and include recessed removable cap feature for easy cleaning, bonding lug and 1" (F) N.P.T. threaded connection. This adjustable 'eye-ball' nozzles produces a single 3/8" dia. solid stream of water.