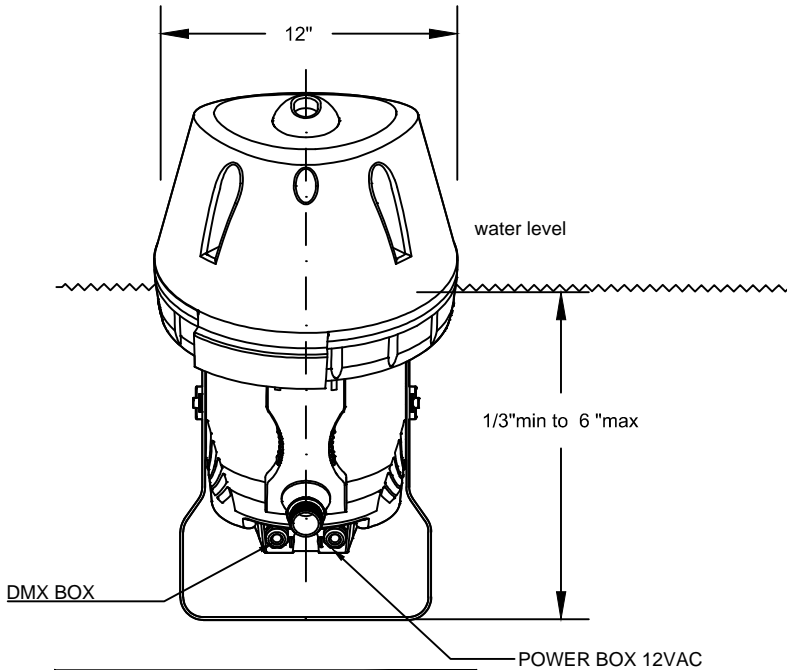
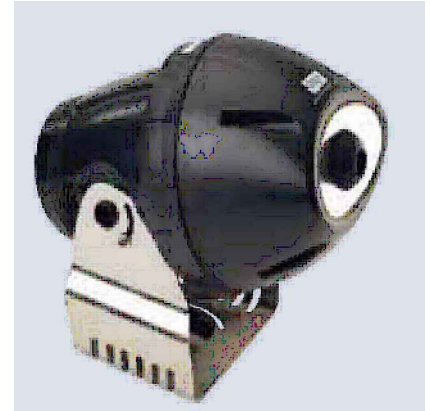


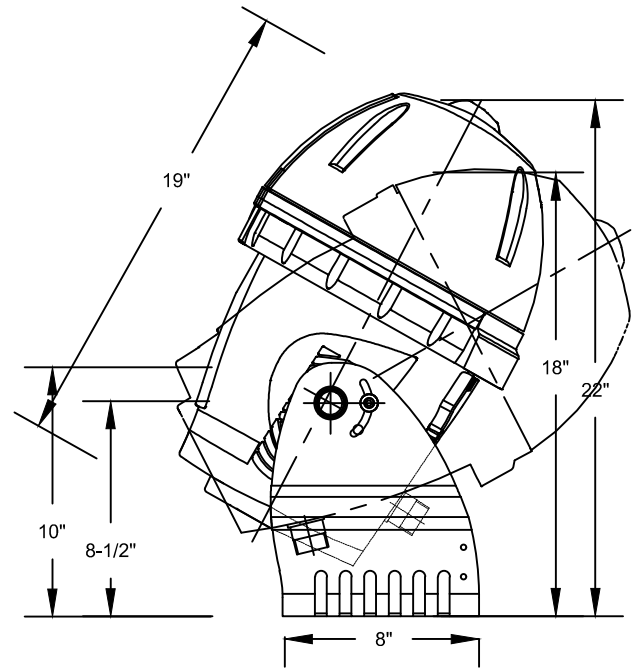
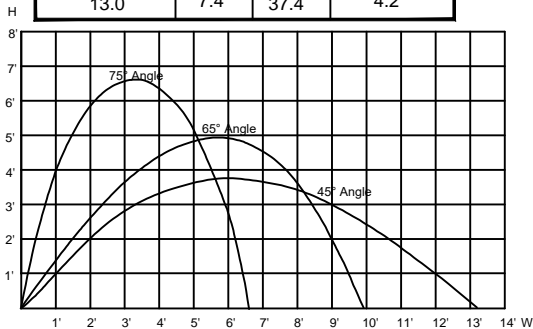


(877) 794-1802

**RLMN-RGB
JUMPING JET NOZZLE**



TECHNICAL AND HYDRAULIC DATA			
45° PARABOLA FOUNTAIN WIDTH (FT)	GPM	FT. OF HEAD	FOUNTAIN LENGTH (FT)
4.9	4.2	3.3	2.2
6.5	5.3	4.0	2.7
9.8	6.3	5.7	3.4
13.0	7.4	37.4	4.2



SPECIFICATION DATA: Jumping Jet is constructed of plastic and stainless steel (AISI 304) for use in fresh and pool water; 12V AC; 50Hz; Laminar water jet with cut-off function, selectable RGB-LED light. This unit can be used indoors or outdoors. Must be used with appropriate DMX controller (consult factory).

DESIGN/APPLICATION DATA: Jets shoot in broad arcs. RGB lights can be freely selected by switchable running light functions. shallow.

- NOTES:**
1. Water must be clean in order to transport light via the water jet.
 2. Minimum water depth 1/3". Maximum water depth 6".
 3. Requires DMX controller and programming. Consult factory per project requirement.
 4. Due to continuing product improvement program, Roman Fountains reserves the right to change the specifications without notice.

**DRAWING NO.
1.210**