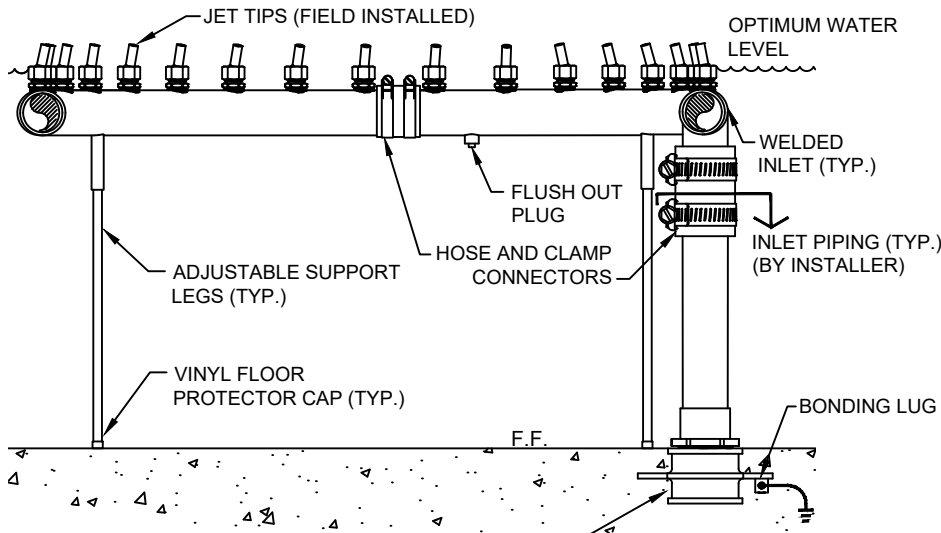




SHOWN WITH OPTIONAL LEGS



RWS-S SERIES, BRONZE WATERSTOP (AVAIL. AS ACCESSORY ITEM); SEE CATALOG SHEET 1.807

ELEVATION

IMPORTANT: FLUSH PIPING & REMOVE FOREIGN OBJECTS FROM NOZZLE FITTINGS PRIOR TO STARTUP. REMOVE NOZZLE(S) DURING FLUSH IF EXCESSIVE DEBRIS PRESENT

OPERATING DATA:

NOISE: _____ Medium
 VISIBILITY: _____ Medium
 SPLASH/MIST: _____ Medium
 WIND STABILITY: _____ Medium
 AERATION QUALITY: _____ Medium

TECHNICAL AND HYDRAULIC DATA													
MODEL NO.	RING C/L DIA. (*)	APPROX. NUMBER OF JETS	APPROX. SPACING	JET ORIFICE DIA. (*)	RING PIPE DIA.	NUMBER/ SIZE OF INLETS	MAX. SPRAY HEIGHT						
								2'	4'	6'	8'	10'	12'
RSR-18-SS	18"	19	3" O.C.	.187	1-1/2"	1 (1-1/2")	GPM	21	29	40	44		
RSR-24-SS	24"	25	3" O.C.	.187	1-1/2"	1 (1-1/2")	GPM	28	38	53	58		
RSR-36-SS	36"	38	3" O.C.	.187	1-1/2"	2 (1-1/2")	GPM	42	54	80	88	110	122
RSR-48-SS	48"	50	3" O.C.	.187	1-1/2"	2 (1-1/2")	GPM	55	75	105	115	145	160
RSR-60-SS	60"	62	3" O.C.	.187	1-1/2"	2 (1-1/2")	GPM	66	93	130	143	180	200
RSR-72-SS	72"	76	3" O.C.	.187	1-1/2"	2 (1-1/2")	GPM	84	114	160	175	220	238
RSR-84-SS	84"	88	3" O.C.	.187	1-1/2"	2 (1-1/2")	GPM	97	132	185	203	255	275
RSR-96-SS	96"	100	3" O.C.	.187	2"	2 (2")	GPM	110	150	210	230	290	315
RSR-120-SS	120"	96	4" O.C.	.187	2"	4 (2")	GPM	106	144	202	221	278	310
RSR-144-SS	144"	112	4" O.C.	.187	2"	4 (2")	GPM	124	168	235	258	325	360
RSR-180-SS	180"	140	4" O.C.	.187	2"	4 (2")	GPM	154	210	294	322	406	450
RSR-216-SS	216"	172	4" O.C.	.187	2"	6 (2")	GPM	190	258	361	396	500	550
RSR-240-SS	240"	188	4" O.C.	.187	2"	6 (2")	GPM	207	282	395	433	545	605

SPECIFICATION DATA: Stainless Steel Spray Ring; stainless steel construction, .187" orifice jets, adjustable to 15° off vertical in a 360° cone, (1) flush plug.

DESIGN/APPLICATION DATA: RSR Series stainless steel spray ring produces circular spray patterns using a series of clear stream precision jets.

- NOTES:**
- Other diameters available on special order; consult factory for details.
 - Fine screening at pump, half the diameter of jet orifice or smaller, to minimize nozzle clogging recommended.
 - Ring diameters 8' and larger ship in sections for on-site assembly.
 - Due to continuing product improvement program, Roman Fountains reserves the right to change the specifications without notice.

DRAWING NO.
1.302