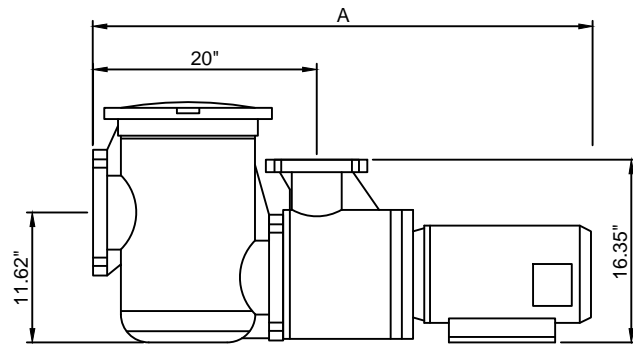
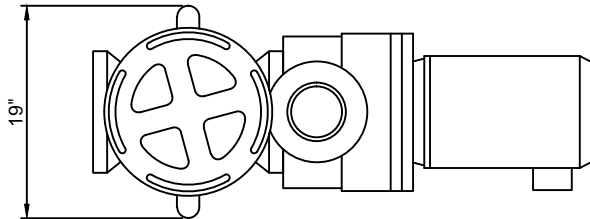


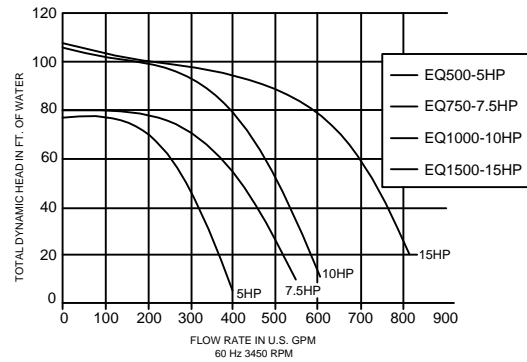


(877) 794-1802

REQK SERIES LARGE CAPACITY SELF-PRIMING PUMP



EQ Series Commercial Pump
Performance Curve



TECHNICAL AND HYDRAULIC DATA					
MODEL NO.	HP	POWER	CYCLE	PHASE	DIM 'A'
REQK-500	5	208-230/460	60/50	3	40.09"
REQ-500	5	230	60/50	1	43.59"
REQK-750	7.5	208-230/460	60/50	3	41.56"
REQ-750	7.5	230	60/50	1	44.59"
REQ-1000	10	230	60/50	1	46.29"
REQK-1000	10	208-230/460	60/50	3	43.29"
REQK-1500	15	208-230/460	60/50	3	43.29"

NOTE: PERFORMANCE CURVES BASED ON 3,450 RPM IMPELLER SPEED

SPECIFICATION DATA: Large Capacity Self-Priming Pump; commercial grade non-corrosive plastic, end suction, leakless mechanical shaft seal with carbon-ceramic face, extra close coupled design, removable mineral reinforced polypropylene basket, PPO resin body with polycarbonate resin thermoplastic cover. Clear Cam and Ramp lid for quick opening. Motor shall be ____ HP, 480V, 60 cycle, 3-phase, open drip proof (ODP) motor, 3,450 RPM, standard 6" x 4" flanged connections.

- NOTES:**
1. Maximum suction lift 6 ft. above lowest pool water level; suction side of pump may require a separate check or foot valve for self-priming applications (By Installer).
 2. Due to our continuing product improvement program, Roman Fountains reserves the right to change the specifications without notice.