

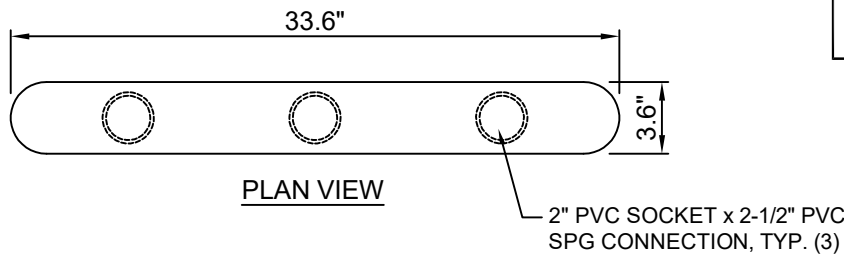
(877) 794-1802

RCMD-32-S 32" PVC CHANNEL MAIN DRAIN

DESIGN/APPLICATION DATA: Roman Fountains RCMD-32-S Channel Drain is designed for use in fountain and reflecting pools using remote pumping systems. It provides a pre-fabricated mechanism for returning water from pool to pump, reducing vortexing (drawing air into the pump) and promoting efficient re-circulation when used at a recommended operating depth of 16".



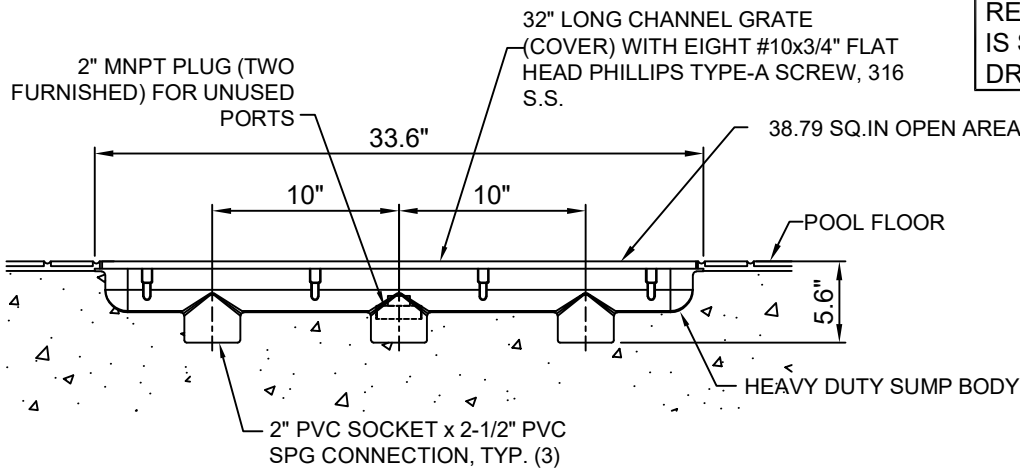
*OPTIONAL COVER COLORS AVAILABLE: WHITE, BLACK, GRAY, DARK GRAY, TAN, DARK BLUE & LIGHT BLUE



CHANNEL DRAIN WITH PLUG

SAFETY NOTICE

THE GRATE MUST BE FIRMLY IN PLACE AND SECURELY FASTENED TO SUMP BODY AT ALL TIMES TO GUARD AGAINST THE POSSIBILITY OF SUCTION ENTRAPMENT. NEVER REMOVE GRATE UNLESS FOUNTAIN IS SHUT OFF AND COMPLETELY DRAINED.



| IAPMO Listed Flow Rates | | | |
|-------------------------|--------|-----------------|----------------|
| PIPE SIZE | PORTS | FLOOR FLOW RATE | WALL FLOW RATE |
| 2.5" | OUTER | 308 GPM | 212 GPM |
| 2.5" | CENTER | 200 GPM | 168 GPM |
| 2" | OUTER | 268 GPM | 192 GPM |
| 2" | CENTER | 184 GPM | 176 GPM |

NOTE: If this device is the primary suction source for the recirculation system install two (2) units minimum, to lessen the risk of suction entrapment.

SPECIFICATION DATA: Channel Main Drain, 38.79 sq.in open area, white PVC body, overall dimensions of 32-23/32" x 3-55/64", three bottom ports with 2-1/2" spigot x 2" socket x 2" NPT connections (internal), two 2" threaded plugs (internal), #316 stainless steel screws, white cover (options available), Sump is IAPMO Listed and meets or exceeds the Virginia Graeme-Baker (VGB) Pool and Spa Safety Act of 2008 & the Uniform Swimming Pool and Spa Code (USPC). NOTE: Life span of drain cover is seven (7) years from date of manufacturing.

Note: Due to our continuing product improvement, Roman Fountains reserves the right to change the specifications without notice.