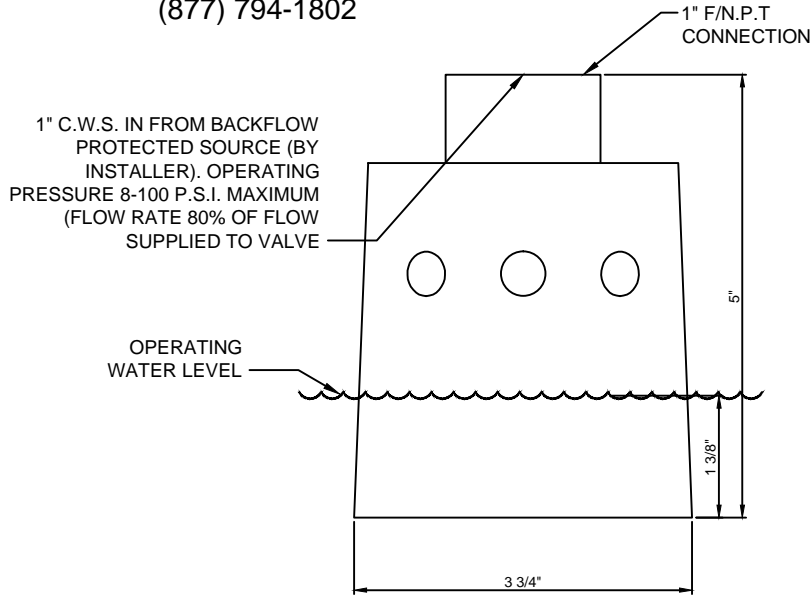


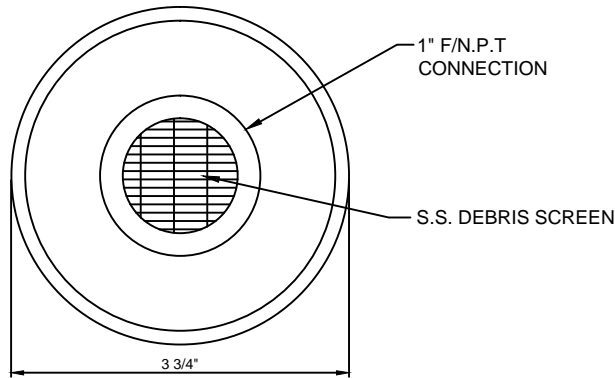


(877) 794-1802

# RFV-100, MECHANICAL WATER LEVEL CONTROL



**ELEVATION**



**PLAN VIEW**

TECHNICAL DATA					
MODEL NO.	(F) N.P.T. CONNECTION	OVERALL HEIGHT	OVERALL DIAMETER	MINIMUM P.S.I.	MAXIMUM P.S.I.
RFV-100	1"	5"	3-3/4"	8	100

**SPECIFICATION DATA:** Mechanical Water Level Control, consisting of a durable glas-filled nylon 6/6 valve body, type 304 stainless steel internal screen, ABS plastic float, silicone control diaphragm and neoprene rubber shut-off pad. 1" (F) N.P.T. top connection. operating range is 8-100 PSI (maximum fluid temperature 90°)

**DESIGN/APPLICATION DATA:** Roman Fountains RFV series mechanical water makeup device is used in small to medium pool applications to make up water lost tdue to evaporation or splash. its compact design allows for low profile, discrete installation.

**NOTE:** Due to continuing product improvement program, Roman Fountains reserves the right to change the specifications without notice.

**DRAWING NO.**  
**4.310**