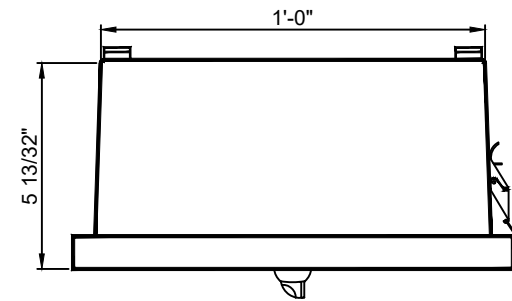


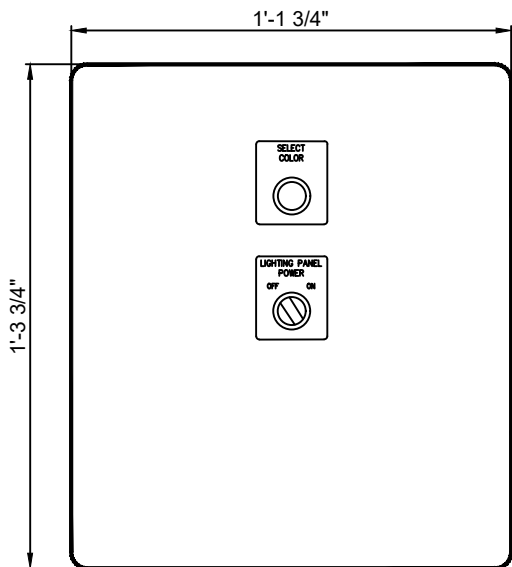


(877) 794-1802

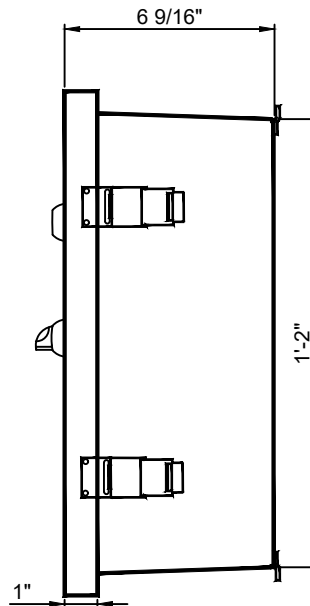
RLCP-LED-RGBW-L1-24V, RGBW 24V DC LED POWER SUPPLY/DMX ENCLOSURE



PLAN VIEW



FRONT ELEVATION

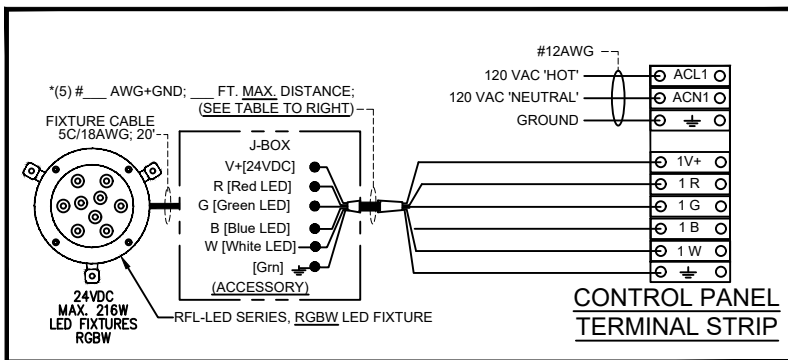


SIDE VIEW



TYPICAL INTERIOR VIEW

FIXTURE STYLE	FIXTURE QTY.
RFL-FS-RGBW	1-6
RFL-DH-RGBW	1-6
RFL-HP-RGBW	1-9



***MAXIMUM CABLE LENGTH FOR A SINGLE RUN FROM PANEL TO JUNCTION BOX**

LOAD AT 24VDC		MAXIMUM CABLE LENGTH TO THE LAST FIXTURE IN A CABLE RUN BY WIRE SIZE				
WATTS	AMPS	#14	#12	#10	#8	#6
0-36	0.0-1.5	100FT.	150FT.	250FT.	425FT.	675FT.
36-72	1.5-3.0	50FT.	80FT.	125FT.	200FT.	325FT.
72-108	3.0-4.5		55FT.	85FT.	140FT.	225FT.
108-144	4.5-6.0		40FT.	65FT.	105FT.	165FT.
144-180	6.0-7.5		30FT.	50FT.	85FT.	135FT.
180-216	7.5-9.0		25FT.	40FT.	70FT.	110FT.
216-252	9.0-10.5		20FT.	35FT.	60FT.	95FT.
252-288	10.5-12.0		20FT.	30FT.	50FT.	80FT.

SPECIFICATION DATA: 'RGBW' LED Power Supply/DMX Enclosure, U.L. 508A Listed, includes 24VDC power supply, RLIN-720, DMX Controller, ON-OFF Switch, 'Color Select' push-button and user terminal strip. Panel shall be pre-wired, and mounted in a polyester NEMA 4X enclosure. Panel is factory powered, tested with all loads, circuits and switching functions verified prior to shipment. Power Requirement: GFI-Protected 120VAC, Single-Phase, 2-Wire Feeder + Gnd. @ 10.0 Amps

Installer Notes:

1. Handhole Splice Box is recommended when using multiple junction boxes per power supply.
2. When grouping light fixtures, Do Not exceed 90% of DC power supply rating.
3. Disconnect is By Others.
4. Feed Must comply with federal, state and local codes. GFI breaker required.