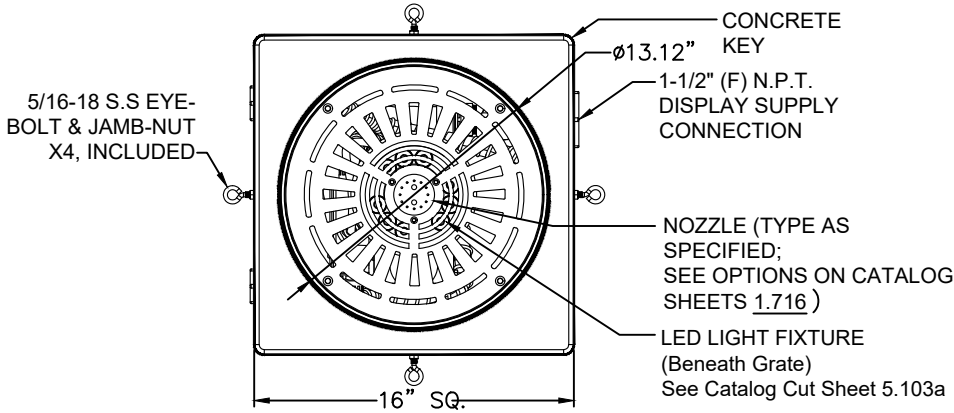
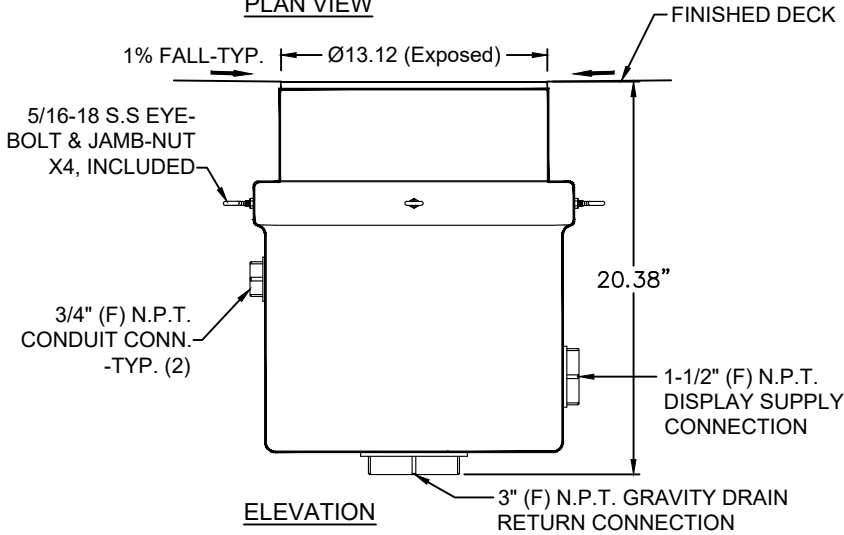


SPLASHLIGHT-24VDC NOZZLE ASSEMBLY WITH LED LIGHT



PLAN VIEW



ELEVATION



3D IMAGE



IMPORTANT: FLUSH PIPING & REMOVE FOREIGN OBJECTS FROM NOZZLE FITTINGS PRIOR TO STARTUP. REMOVE NOZZLE(S) DURING FLUSH IF EXCESSIVE DEBRIS PRESENT

NOZZLE COVER		HYDRAULIC DATA					
		SPRAY HEIGHT					
		2'-0"	4'-0"	6'-0"	8'-0"	10'-0"	12'-0"
JC SJ AJ TT	GPM	8.6	11.7	14.0	15.7	18.2	19.6
	HEAD	29.0'	38.0'	52.2'	54.0'	65.0'	56.0'
APJ-50	GPM	8.0	10.5	12.5	14.5	16.5	18.0
	HEAD	28.0'	34.0'	41.0'	49.0'	58.0'	48.0'

NOZZLE COVER		HYDRAULIC DATA							
		SPRAY HEIGHT							
		2'-0"	4'-0"	6'-0"	8'-0"	10'-0"	12'-0"	14'-0"	
JC/L CJ	GPM	7.2	9.5	11.6	13.3	15.0	16.5	17.9	
	HEAD	24.0'	30.0'	37.0'	43.0'	49.0'	55.0'	62.0'	
APJ-38	GPM	7.0	9.5	12.0	13.5	15.5	16.5	18.0	
	HEAD	28.5'	34.0'	39.0'	44.0'	49.0'	54.0'	60.0'	

SPECIFICATION DATA: Flush-mounted Nozzle/LED Assembly, consisting of high strength polypro niche with integral water-stop key flange, threaded inserts to accept eyebolts and jamb-nuts (included for installation), Stainless Steel grate, fast-acting waterswitch and RDHN-Series, S.S. Nozzle Body with choice of nozzle cover; see catalog sheet 1.716 for available nozzle spray patterns; use tables above for Hydraulic Data.

DESIGN APPLICATION DATA: 3" (F) N.P.T. drain return connection, 1-1/2" (F) N.P.T. supply connection, two (2) 3/4" (F) N.P.T. conduit connections (one for LED light fixture and one for nozzle/valve assembly), one high-output RFL-DH-24VDC SERIES (White or RGBW), LED light fixture with pre-attached 25' cord recessed into the nozzle body and one manual brass balancing valve.

- NOTES:**
1. Installer must provide 1/2" threaded rod, flat washers and nuts at four support points for poly niche installation.
 2. Fine Screening at pump is recommended (500 microns).
 3. 24 VDC power supply required to operate light fixtures. Contact factory for requirements.
 4. DMX driver required to operate 'RGB' light fixtures in programmable mode; contact factory for requirements.
 5. Sequencing Controller and 24VDC Power Supply required for 24 VDC 'on/off' nozzle triggering; contact factory for requirements.
 6. Due to continuing product improvement program, Roman Fountains reserves the right to change the specifications without notice.