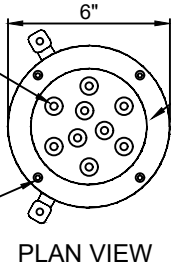
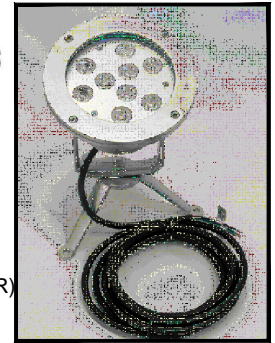
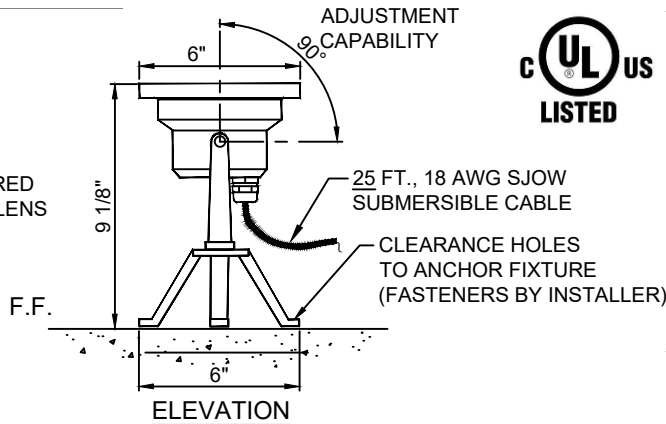


(877) 794-1802

HIGH OUTPUT  
LED DIODES

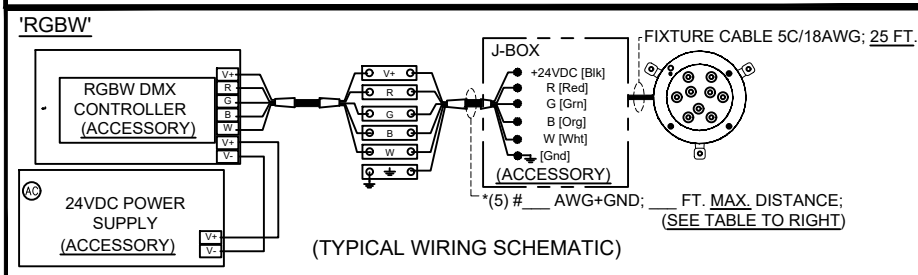
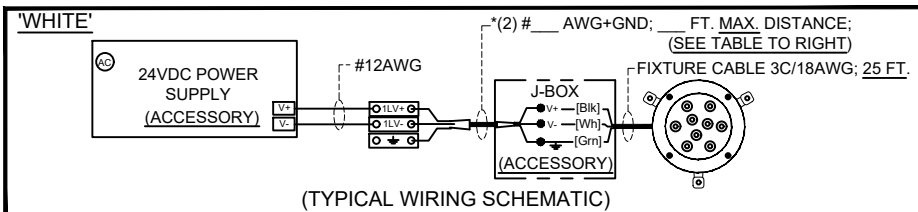


TEMPERED  
GLASS LENS



**LED**  
**24VDC**

\*\*\*Electrician to verify correct voltage  
at fixtures while under load.\*\*\*



*MAXIMUM CABLE LENGTH FOR A SINGLE RUN							
LOAD AT 24VDC		MAXIMUM CABLE LENGTH TO THE LAST FIXTURE IN A CABLE RUN BY WIRE SIZE					
WATTS	AMPS	#14	#12	#10	#8	#6	
0-36	0.0-1.5	100FT.	150FT.	250FT.	425FT.	675FT.	
36-72	1.5-3.0	50FT.	80FT.	125FT.	200FT.	325FT.	
72-108	3.0-4.5		55FT.	85FT.	140FT.	225FT.	
108-144	4.5-6.0		40FT.	65FT.	105FT.	165FT.	
144-180	6.0-7.5		30FT.	50FT.	85FT.	135FT.	
180-216	7.5-9.0		25FT.	40FT.	70FT.	110FT.	
216-252	9.0-10.5		20FT.	35FT.	60FT.	95FT.	
252-288	10.5-12.0		20FT.	30FT.	50FT.	80FT.	

### TECHNICAL DATA

MODEL NO.	LIGHT SOURCE	LIGHT COLOR	BEAM ANGLE	INPUT VOLTAGE	WATTS	CABLE TYPE	IP RATING
RFL-FS-WW-24VDC-27W	9 X3W WHITE DIODES	'WARM' WHITE (3000K)	30 DEG.	24VDC	*27.0	18-3 AWG SJOW	68
RFL-FS-CW-24VDC-27W	9 X3W WHITE DIODES	'COOL' WHITE (4000K)	30 DEG.	24VDC	*27.0	18-3 AWG SJOW	68
RFL-FS-DW-24VDC-27W	9 X3W WHITE DIODES	'DAY' WHITE (6000K)	30 DEG.	24VDC	*27.0	18-3 AWG SJOW	68
RFL-FS-RGBW-24VDC-36W	9 X4W RGBW DIODES	RED/GREEN/ BLUE/DAY WHITE	30 DEG.	24VDC	*36.0	18-5 AWG SJOW	68

\*NOTE: THIS FIGURE REPRESENTS THE MAXIMUM POSSIBLE LOAD FOR THIS FIXTURE.

**SPECIFICATION DATA:** Freestanding, fully adjustable LED submersible light fixture for floor mounting. Unit features high output LED diodes, stainless steel fixture base and fasteners, tempered glass lens, silicone lens gasket, chromed brass cord entrance fitting; 25 ft. of 18 AWG SJOW cable; U.L. Listed; 24VDC; Constant Voltage fixture.

**DESIGN/APPLICATION DATA:** Any fountain application where a compact and adjustable freestanding, high output LED submersible light fixture is required.

- NOTES:**
1. 24VDC Power supply required to operate fixtures. Contact factory for requirements.
  2. 'DMX' Controller required to operate 'RGBW' fixtures in programmable mode. Contact factory for requirements.
  3. NEC Code requires no more than 10' of cable be exposed on basin floor.
  4. Due to our continuing product improvement, Roman Fountains reserves the right to change the specifications without notice.

DRAWING NO.  
**5.102a**