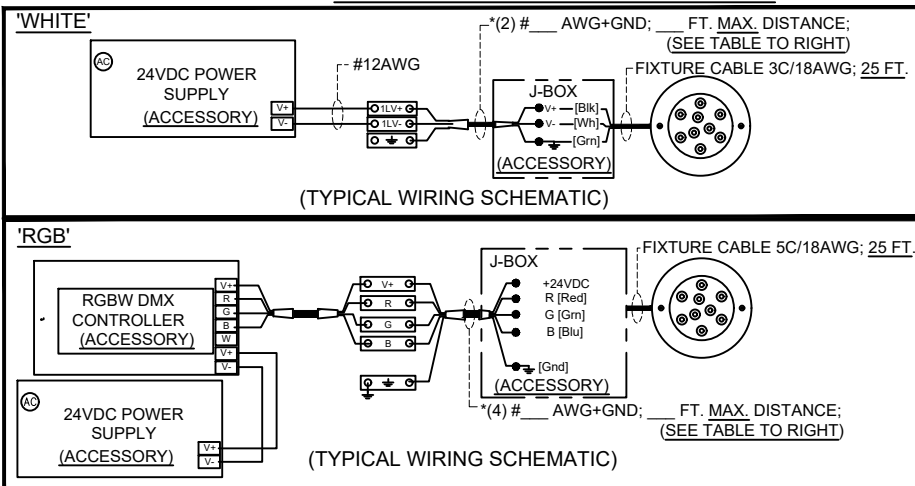


LED
24VDC

Electrician to verify correct voltage at fixtures while under load.



*MAXIMUM CABLE LENGTH FOR A SINGLE RUN

LOAD AT 24VDC WATTS	AMPS	MAXIMUM CABLE LENGTH TO THE LAST FIXTURE IN A CABLE RUN BY WIRE SIZE				
		#14	#12	#10	#8	#6
0-36	0.0-1.5	100FT.	150FT.	250FT.	425FT.	675FT.
36-72	1.5-3.0	50FT.	80FT.	125FT.	200FT.	325FT.
72-108	3.0-4.5		55FT.	85FT.	140FT.	225FT.
108-144	4.5-6.0		40FT.	65FT.	105FT.	165FT.
144-180	6.0-7.5		30FT.	50FT.	85FT.	135FT.
180-216	7.5-9.0		25FT.	40FT.	70FT.	110FT.
216-252	9.0-10.5		20FT.	35FT.	60FT.	95FT.
252-288	10.5-12.0		20FT.	30FT.	50FT.	80FT.

TECHNICAL DATA

MODEL NO.	LIGHT SOURCE	LIGHT COLOR	BEAM ANGLE	INPUT VOLTAGE	WATTS	CABLE TYPE	IP RATING
RFL-FM-WW-24VDC-36W	12 X3W WHITE DIODES	WARM 'WHITE' (3000K)	30 DEG.	24VDC	*36.0	18-3 AWG SJOW	68
RFL-FM-CW-24VDC-36W	12 X3W WHITE DIODES	COOL 'WHITE' (4000K)	30 DEG.	24VDC	*36.0	18-3 AWG SJOW	68
RFL-FM-DW-24VDC-36W	12 X3W WHITE DIODES	DAY 'WHITE' (6000K)	30 DEG.	24VDC	*36.0	18-3 AWG SJOW	68
RFL-FM-RGB-24VDC-36W	12 X3W RGB DIODES	RED/GREEN/BLUE	30 DEG.	24VDC	*36.0	18-5 AWG SJOW	68

NOTE: THIS FIGURE REPRESENTS THE MAXIMUM POSSIBLE LOAD FOR THIS FIXTURE.

SPECIFICATION DATA: Very low profile, non-adjustable LED submersible light fixture with concrete forming sleeve for flush-to-floor or wall installation; high output LED diodes, stainless steel housing and fasteners, tempered glass lens, silicone lens gasket, chromed brass cord entrance fitting; 25 ft. of 18 AWG SJOW cable; U.L. Listed; 24VDC; Constant Voltage fixture.

DESIGN/APPLICATION DATA: Any fountain application where a flush mount installation is required, floor or wall, with high output LED submersible light fixture.

- NOTES:**
- 24VDC Power supply required to operate fixtures. Contact factory for requirements.
 - 'DMX' Controller required to operate 'RGB' fixtures in programmable mode. Contact factory for requirements.
 - Due to our continuing product improvement, Roman Fountains reserves the right to change the specifications without notice.

DRAWING NO.
5.106b