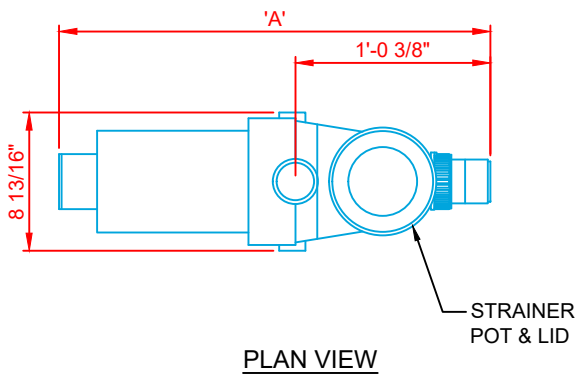
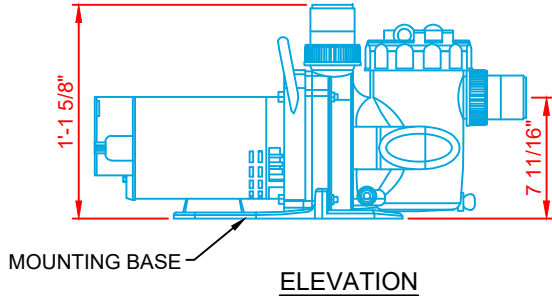
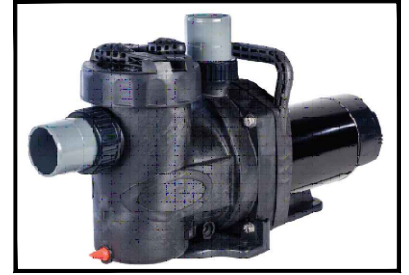


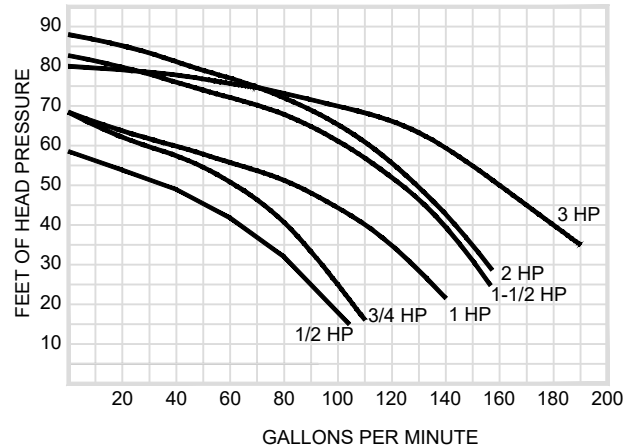


(877) 794-1802

RSPP-B SERIES, SELF-PRIMING PUMP



HYDRAULIC DATA 3450 RPM



TECHNICAL AND HYDRAULIC DATA				
MODEL NO.	HP	Dim. 'A'	Suct./Disch. (F) N.P.T.	Power Req.
RSPP-B-050-1	1/2	25.7"	2" x 2"	115/208-230V, 1Ø
RSPP-B-050-3	1/2	25.7"	2" x 2"	208-230/460V, 3Ø
RSPP-B-075-1	3/4	26.2"	2" x 2"	115/208-230V, 1Ø
RSPP-B-075-3	3/4	26.2"	2" x 2"	208-230/460V, 3Ø
RSPP-B-100-1	1	27.2"	2" x 2"	115/208-230V, 1Ø
RSPP-B-100-3	1	27.2"	2" x 2"	208-230/460V, 3Ø
RSPP-B-150-1	1-1/2	27.4"	2" x 2"	115/208-230V, 1Ø
RSPP-B-150-3	1-1/2	27.4"	2" x 2"	208-230/460V, 3Ø
RSPP-B-200-1	2	27.4"	2" x 2"	208-230V, 1Ø
RSPP-B-200-3	2	27.4"	2" x 2"	208-230/460V, 3Ø
RSPP-B-300-1	3	27.4"	2" x 2"	208-230V, 1Ø
RSPP-B-300-3	3	27.4"	2" x 2"	208-230/460V, 3Ø

SPECIFICATION DATA: Self Priming Pump; one-piece thermoplastic housing with intergrated strainer basket with .142" openings and easy on/off two-piece see through lid; non-corrosive plastic impeller with heavy duty mechanical shaft seal, suction and discharge are equipped with quick disconnect unions for easy installation and maintenance (union & lid wrench included); heavy duty premium energy efficient totally enclosed fan-cooled (TEFC) motor.

- NOTES:**
1. Pump motor must be adequately guarded against heat, dirt and moisture.
 2. Pump room must be ventilated at a rate of 25 CFM per horsepower.
 3. Maximum recommended suction lift: 4' above lowest pool water level; suction side of pump will require a check valve for self-priming applications (By Installer).
 4. Due to continuing product improvement program, Roman Fountains reserves the right to change the specifications without notice.

DRAWING NO.
3.108