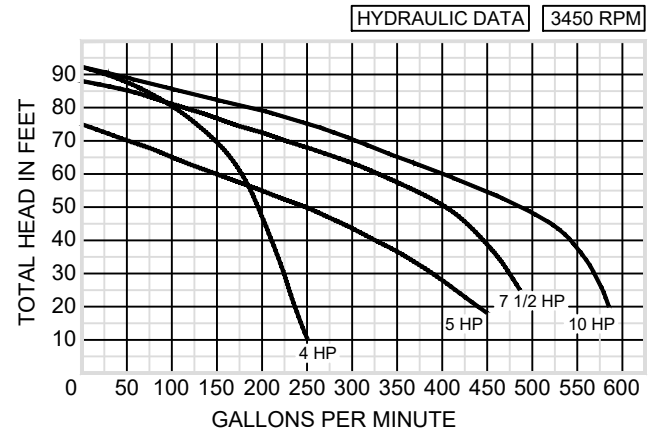
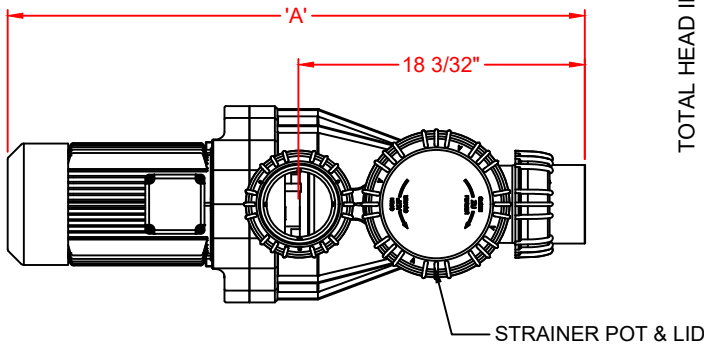
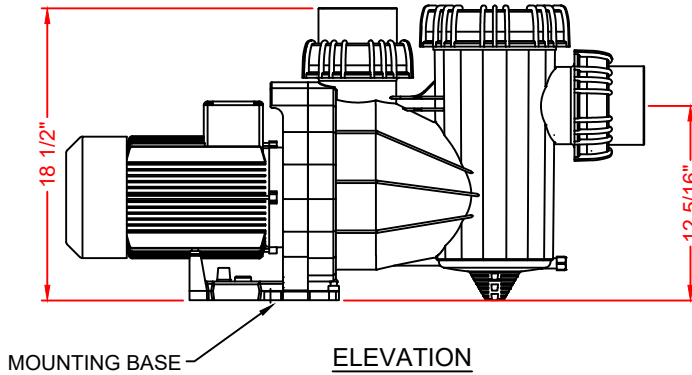


RSPP-95 SERIES, SELF-PRIMING PUMP



| TECHNICAL AND HYDRAULIC DATA | | | | |
|------------------------------|-----|----------|-------------------------|-----------------|
| MODEL NO. | HP | Dim. 'A' | Suct./Disch. (F) N.P.T. | Power Req. |
| RSPP-95-400-1 | 4 | 36.8" | 4"x4" | 208-230V, 1Ø |
| RSPP-95-400-3 | 4 | 35" | 4"x4" | 208-230V, 3Ø |
| RSPP-95-500-1 | 5 | 36.5" | 4"x4" | 208-230V, 1Ø |
| RSPP-95-500-3 | 5 | 34" | 4"x4" | 208-230/460, 3Ø |
| RSPP-95-750-1 | 7.5 | 36.5" | 4"x4" | 208-230/460, 1Ø |
| RSPP-95-750-3 | 7.5 | 36.5" | 4"x4" | 208-230/460, 3Ø |
| RSPP-95-1000-3 | 10 | 36" | 4"x4" | 208-230/460, 3Ø |

SPECIFICATION DATA: Self Priming Pump; one-piece thermoplastic housing with intergrated strainer basket with .142" openings and easy on/off two-piece see through lid; non-corrosive plastic impeller with heavy duty mechanical shaft seal, suction and discharge are equipped with quick disconnect unions for easy installation and maintenance (union & lid wrench included); heavy duty energy efficient totally enclosed fan-cooled (TEFC) motor.

- NOTES:**
1. Pump motor must be adequately guarded against heat, dirt and moisture.
 2. Pump room must be ventilated at a rate of 25 CFM per horsepower.
 3. Maximum recommended suction lift: 4' above lowest pool water level; suction side of pump will require a check valve for self-priming applications (By Installer).
 4. Due to continuing product improvement program, Roman Fountains reserves the right to change the specifications without notice.

DRAWING NO.
3.111